

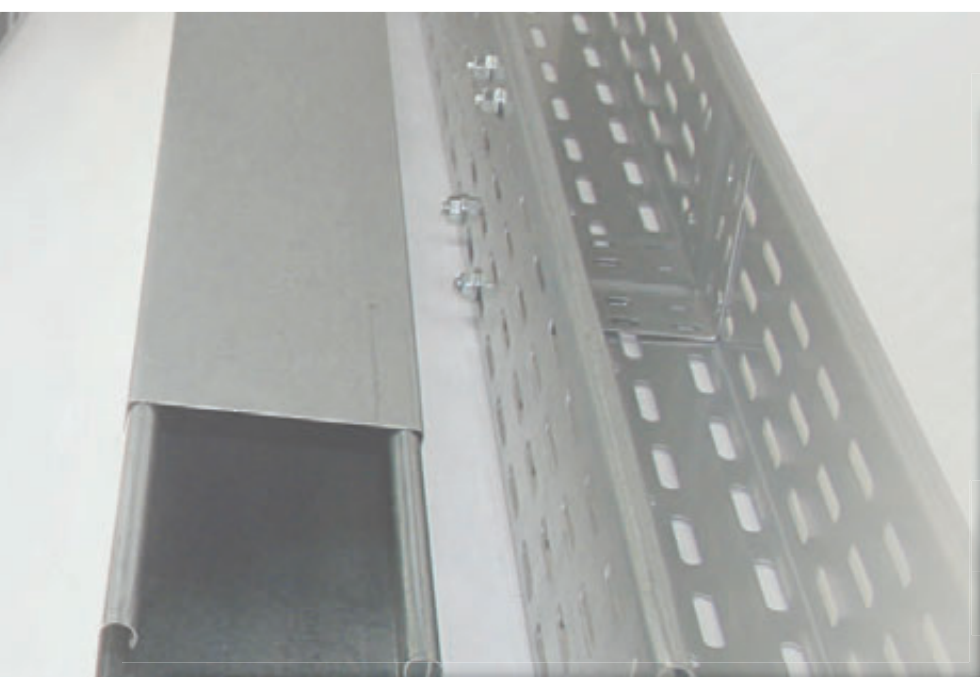
CABLE TRAY SYSTEM



- Cable Tray
- Barrier Strips
- Fittings
- Accessories
- Covers

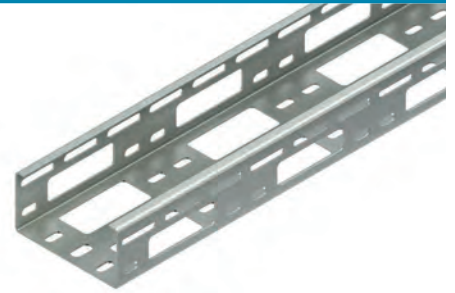
All straight sections of cable tray as well as their corresponding system components (fittings, splice plates, covers, ...) are classified by UL in accordance with NEMA VE 1 for the USA and CSA C22.1 No. 126.1 for Canada. An 'X' in the part number will be added for labeling according to UL instructions (see catalog page 46).





The Niedax Cable Tray is an extremely versatile and cost effective solution for your cabling needs. You can select from a wide range of tray sizes, fittings and accessories in various material thicknesses and finishes. Niedax Cable Tray is adaptable to your special needs, customized dimensions are available upon request.

RSV 50...



RLCI 60...



RLCPV 85...



RS 110...



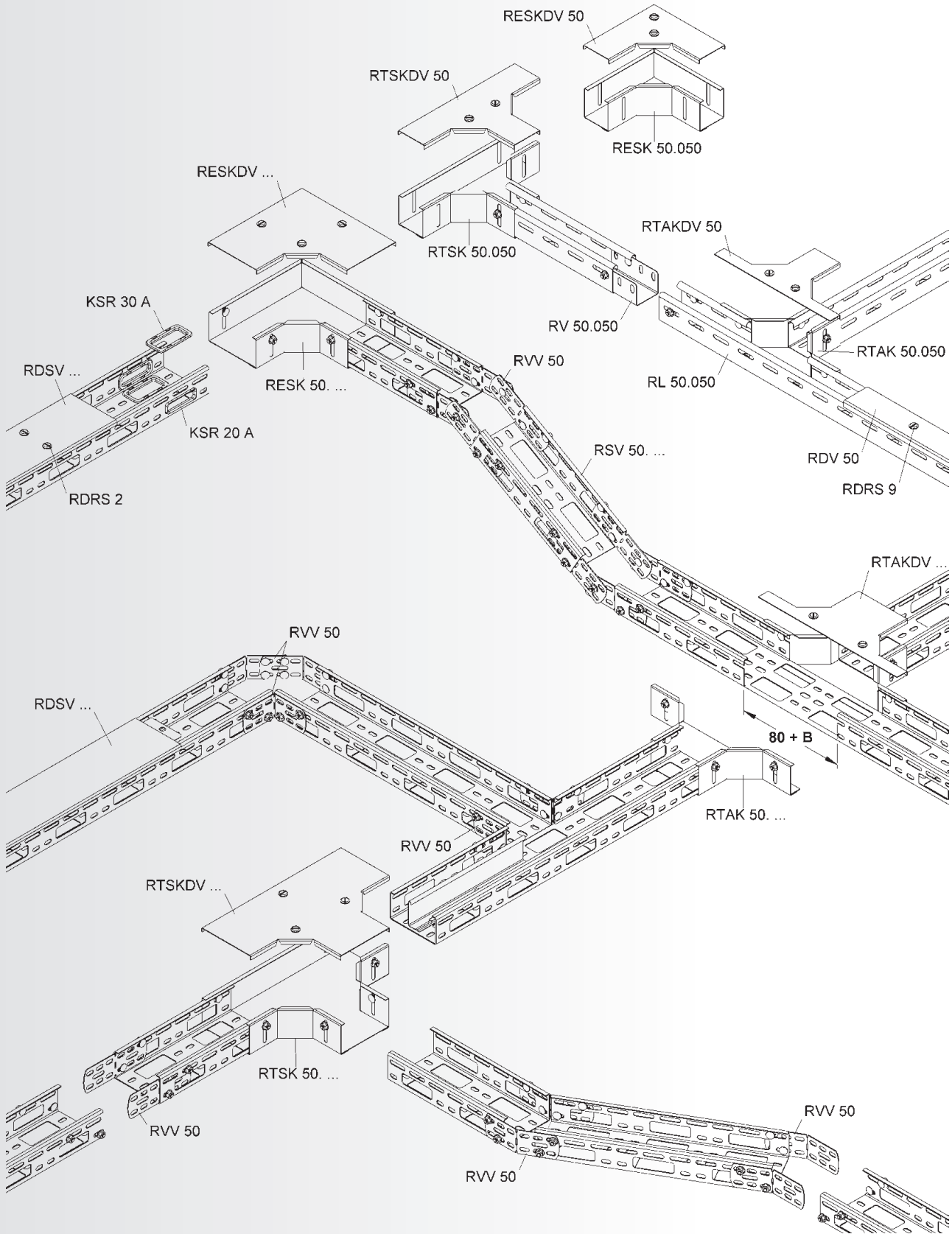
CABLE TRAY SYSTEM

Available Side Rail Heights



SYSTEM			
	Mini Cable Tray	RL...	Page 192
	Cover for Mini Cable Tray	RDV 50	Page 192
	Distribution Cable Tray	RSV 50...	Page 194
ACCESSORIES	Turnbolt Lock	RDRS...	Page 193/196/197
	U-shaped Splice Plate	RV 50.050	Page 193
	Edge Protection Ring	KSR...	Page 195
	Divider	RW 50...	Page 195
	Cover for Distribution Cable Tray	RDSV...	Page 195
	Universal Splice Plate	RVV 50...	Page 197
	Extension Horizontal Tee	RTAK...	Page 197
	Cover for Horizontal Extension Tee	RTAKDV...	Page 197
	Horizontal Elbow 90°	RESK...	Page 198
	Cover for 90° Horizontal Elbow	RESKDV...	Page 198
	Horizontal Tee	RTSK...	Page 198
	Cover for Horizontal Tee	RTSKDV...	Page 198





One-Piece Cable Tray Specifications:

➔ A. CABLE TRAY DESIGN

1. Cable Tray shall be made of straight sections, fittings and accessories as defined in the latest NEMA standards per NEMA VE-1. Standard cable trays shall be UL classified as equipment grounding conductors.

➔ B. MATERIAL

1. **Pre-galvanized steel.** The structural quality of the steel shall meet the minimum yield and tensile strength of the ASTM standards (ASTM A 653) with G 90 coating thickness. All cable trays to be labeled for material identification purposes.
2. **Hot dipped galvanized steel.** All trays to be hot-dipped galvanized in accordance with ASTM A123. All trays to be labeled for material identification.
3. **Stainless steel.** All trays are to be constructed of AISI type 304 or type 316 stainless steel. All trays to be labeled for material identification.

➔ C. TRAY TYPES

1. **Ventilated cable tray.** Trays are to be fabricated from continuous roll-formed structural quality steel. Tray shall be ventilated on both the bottom of the tray and on the sides for maximum ventilation of the cables.
2. **Solid cable tray.** Trays are to be fabricated from continuous roll-formed structural quality steel. Sides are to be solid as well as bottom for maximum cable enclosure and support.
3. **Distribution cable tray.** Trays are to be fabricated from continuous roll-formed structural quality steel. Tray shall be ventilated on sides and bottom and will also contain larger openings on both bottom and side for cables to exit and enter the cable tray. Openings shall be insulated with plastic edge protection rings that are purchased separately for cable protection where needed.

➔ D. TRAY SIZE

1. **Height:** Trays shall have an overall height of 2", 2.3", 3.3", and 4.3" (50, 60, 85 and 110 mm). Loading depth is the same as the overall height, as there are no rungs to reduce the fill of the tray.
2. **Width:** Widths shall be 2", 4", 6", 8", 12", 16", 20" and 24" (50, 100, 150, 200, 300, 400, 500 and 600 mm).
3. **Length:** Length shall be a nominal 10' or 3 meters.

➔ E. ACCESSORIES

1. **Covers.** Covers shall be supplied as an option to protect tray cable where needed. Covers will be solid and have the option of containing three pair of turn-bolt locks to secure the covers to the lips of the cable tray. Covers can also be plain, and locks can be installed separately.
2. **Splice plates.** Splice plates shall be supplied with the straight sections of the tray and are installed with four sets of nuts/bolts that are also supplied. Splice plates fit internally to the tray and are one-piece U shaped to fit into both adjoining pieces of cable tray.
3. **Other accessories** shall be furnished as required to protect, support, and install a cable tray system. Fittings shall made of the same material as the cable tray whenever possible. Fittings can be of factory construction or may also be of a type that allows field constructed fittings.

➔ F. LOADING CAPABILITIES

1. Cable tray shall meet the load/span class designation in accordance with NEMA VE 1 and CSA E22.2 No 126.1. Cable tray shall also meet load/span designation in accordance with IEC 61537.

➔ G. DESIGN AND MANUFACTURE

1. Cable tray design shall be manufactured by The Niedax Group, series RLV CX/RLC IX/RLX/RLUX/RSX/RSUX/RLCPVX/RSVX series.



➔ **Load/Span Class Designation in accordance with NEMA VE 1 and CSA E22.2 No. 126.1**

Niedax Series	Minimum Area		Load class in accordance to NEMA VE 1		
	(calculational) mm ² / in. ²	in accordance to NEMA VE 2 mm ² / in. ²	Rated Load Kg/m / lb./ft.	Support spacing m / ft.	Load/Span Class
RLX 50.050 S, ... F	109.6 / 0.17	-	53 / 35.6	2 / 6.6	-
RSVX 50.050 S, ... F, ... E3	112.5 / 0.17	-	60 / 40.3	2 / 6.6	-
RSVX 50.100 S, ... F, ... E3	142.5 / 0.22	129 / 0.2	60 / 40.3	2 / 6.6	-



CABLE TRAY SYSTEM

Mini Cable Tray

ventilated, with return flange

	Model no.	Height H		Width B		Thick-ness t	Length L		Acc. incl.	Weight per 100 m kg	Pack/Box Qty
		mm	Inch	mm	Inch		mm	Inch			
S	RL 50.050	50	2	50	2	0,75	3000	118,1	4 FLM 6X12	96,85	2 x 3 m
S	RL 50.050/6	50	2	50	2	0,75	6000	236,2	4 FLM 6X12	94,94	2 x 6 m

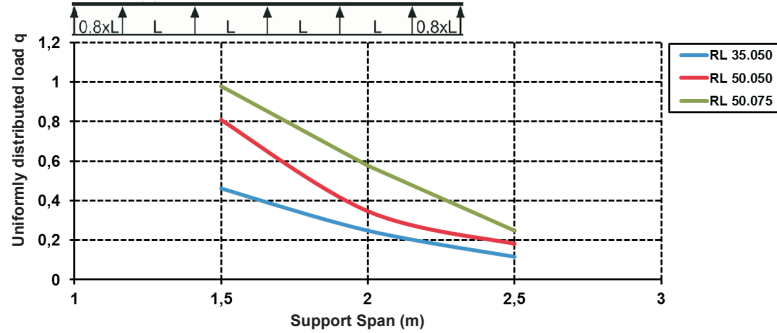
perforation allows easy mounting of splice plates and fittings

Centered punchholes allow hanging with M12 (1/2") threaded rod.

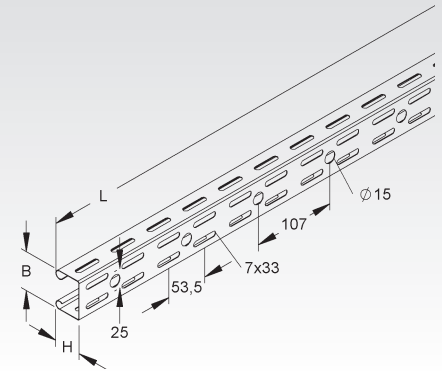
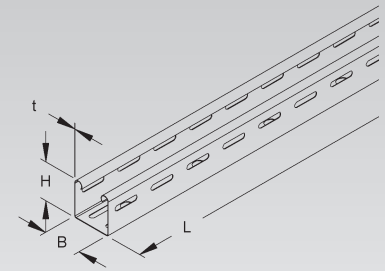
One RV... splice plate included with every piece of cable tray.

Also available as solid (non ventilated) tray: RLU 50.050

Load Chart: q = uniformly distributed load (tested according to DIN EN IEC 61537 standard)



Height 50 mm
Nominal 2 inches
70

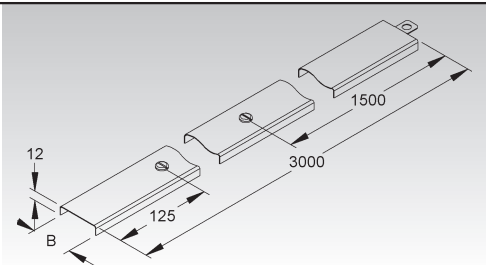


Cover for Mini Cable Tray

with turnbolt locks

	Model no.	Inside dimension B		Weight per 100 m kg	Pack/Box Qty
		mm	Inch		
S	RDV 50	52	2	44,07	2 x 3 m

Suitable for: mini cable trays RL... and RLU 50...



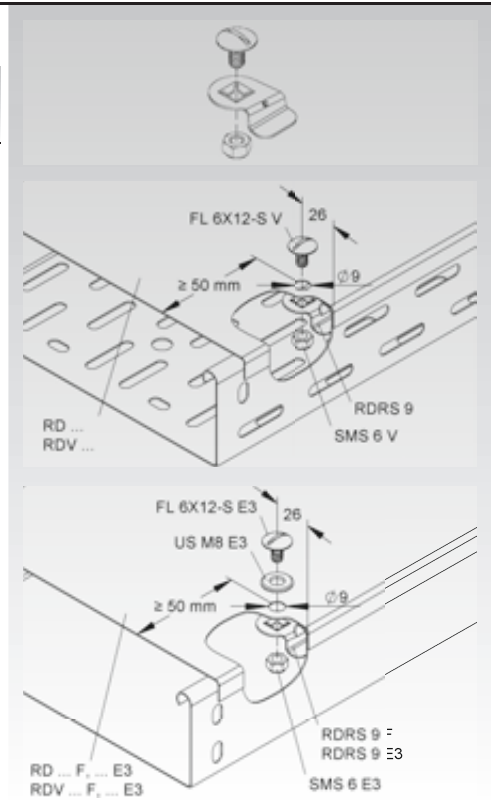
Turnbolt Lock

incl. locking nut

Model no.	Acc. incl.	Weight per 100 pcs kg	Pack/Box Qty
S RDRS 9	1 FL 6X12-S V, 1 SMS 6 V	1,2	100

Suitable for: cover RDV...

Not sufficient for securing covers to tray installed vertically or sideways nor for securing covers against windloads. Please use self tapping screws, steel cable ties or coverhinges in addition.

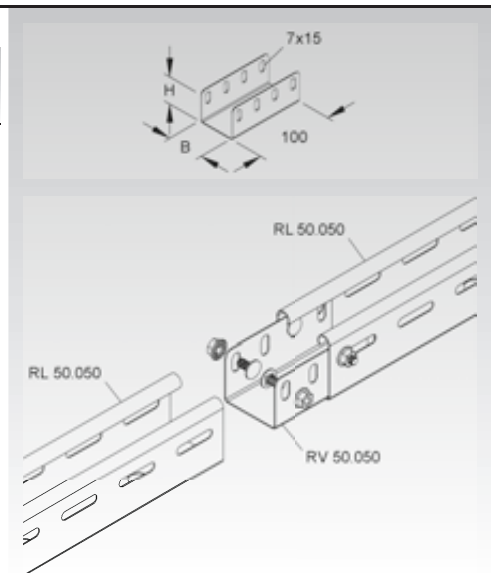


U-shaped Splice Plate

Model no.	Height H mm Inch	Width B mm Inch	Acc. incl.	Weight per 100 pc. kg	Pack/Box Qty
S RV 50.050	40 1,6	47 1,9	4 FLM 6X12	11,52	10

Suitable for: mini cable tray RL 50.050

One RV type splice plate is always included with every straight piece of RL... or RS... tray but can be ordered separately for extra needs.



CABLE TRAY SYSTEM

Distribution Cable Tray

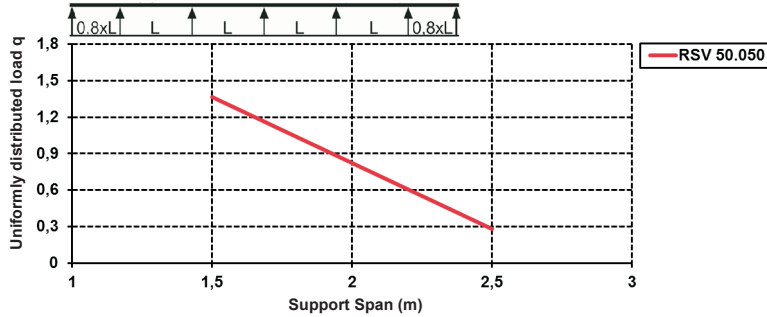
ventilated, with return flange

Model no.	Height H	Width B	Thickness t	Length L	Weight per 100 m kg	Pack/Box Qty
	mm Inch	mm Inch	mm	mm Inch		
S RSV 50.050	50 2	50 2	1,5	3000 118,1	126,10	2 x 3 m
S RSV 50.050/6	50 2	50 2	1,5	6000 236,2	126,10	2 x 6 m
F RSV 50.050 F	50 2	50 2	1,5	3000 118,1	138,71	2 x 3 m
E3 RSV 50.050 E3	50 2	50 2	1,5	3000 118,1	126,90	2 x 3 m

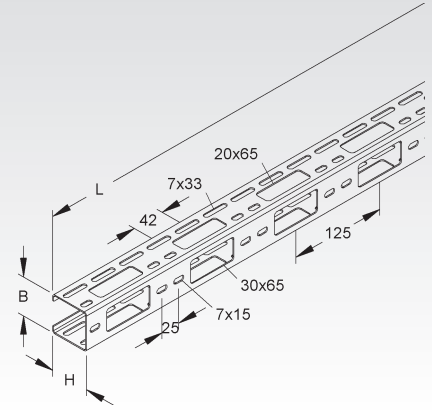
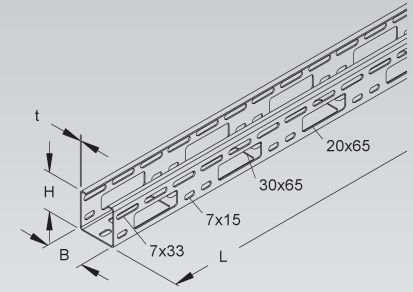
bottom and side plates perforated with staggered punch holes
square punch holes of 30x65 mm (bottom) and of 20x65 mm (side rail) are provided for cable or pipe dropouts

Splice plates are not included. Please order two RVV 50 per joint.

Load Chart: q = uniformly distributed load (tested according to DIN EN IEC 61537 standard)



Height 50 mm
Nominal 2 inches



Distribution Cable Tray

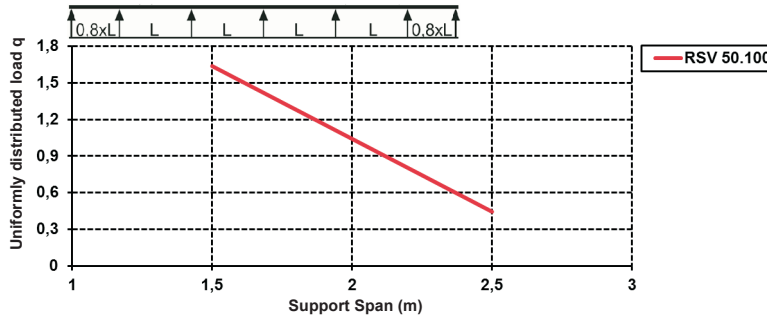
ventilated, with return flange

Model no.	Height H	Width B	Thickness t	Length L	Weight per 100 m kg	Pack/Box Qty
	mm Inch	mm Inch	mm	mm Inch		
S RSV 50.100	50 2	100 3,9	1,5	3000 118,1	162,20	2 x 3 m
S RSV 50.100/6	50 2	100 3,9	1,5	6000 236,2	162,23	2 x 6 m
F RSV 50.100 F	50 2	100 3,9	1,5	3000 118,1	178,45	2 x 3 m
E3 RSV 50.100 E3	50 2	100 3,9	1,5	3000 118,1	163,30	2 x 3 m

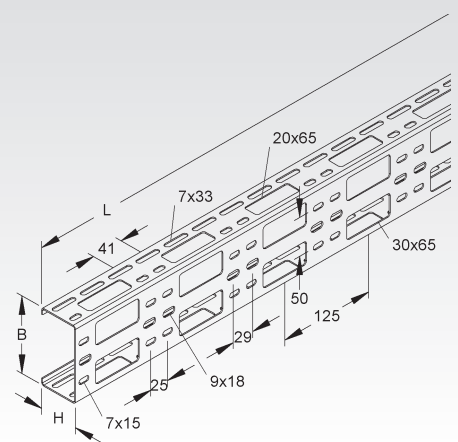
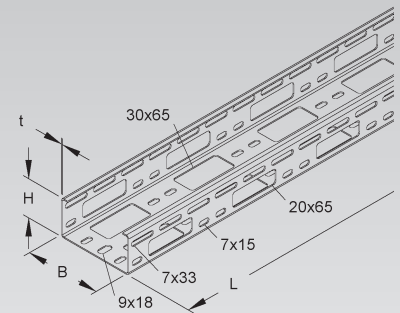
bottom and side plates perforated with staggered punch holes
square punch holes of 30x65 mm (bottom) and of 20x65 mm (side rail) are provided for cable or pipe dropouts

Splice plates are not included. Please order two RVV 50 per joint.

Load Chart: q = uniformly distributed load (tested according to DIN EN IEC 61537 standard)



Height 50 mm
Nominal 2 inches



Edge Protection Ring

UV resistant

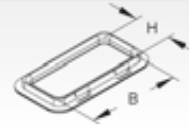
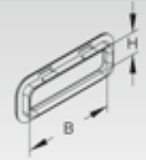
Model no.	Color	Inside height H mm Inch	Inside dimension B mm Inch	Weight per 100 pcs kg	Pack/Box Qty
K04 KSR 20 A	black	14,5 0,6	58 2,3	0,32	20
K04 KSR 30 A	black	24,0 0,9	58 2,3	0,38	20

to protect cables at the knockouts

Suitable for: distribution cable trays RSV 50... and RLCI 60...



44 45



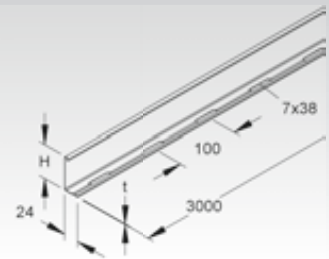
Divider

Model no.	Height H mm Inch	Thickness t mm	Acc. incl.	Weight per 100 m/ kg	Pack/Box Qty
S RW 50	47 1,9	0,75	4 FLM 6X12	45,05	10 x 3 m
F RW 50 F	47 1,9	0,75	4 FLM 6X12 F	49,58	10 x 3 m
E3 RW 50 E3	47 1,9	0,80	4 FLM 6X12 E3	48,32	10 x 3 m

to separate wires and cables of different voltage levels or with different functions



76



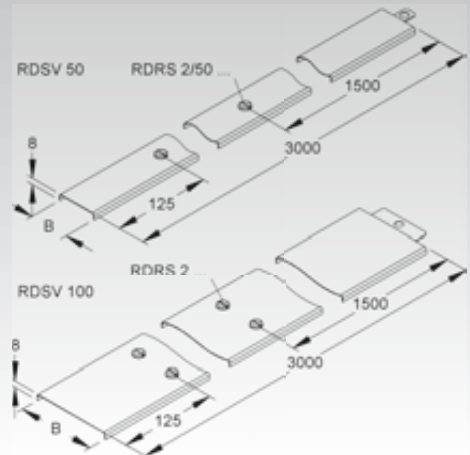
Cover for Distribution Cable Tray

with turnbolt locks

Model no.	Inside dimension B mm Inch	Weight per 100 m kg	Pack/Box Qty
S RDSV 50	50 2	38,32	2 x 3 m
S RDSV 100	100 3,9	68,17	2 x 3 m
F RDSV 50 F	50 2	42,43	2 x 3 m
F RDSV 100 F	100 3,9	75,52	2 x 3 m
E3 RDSV 50 E3	50 2	41,32	2 x 3 m
E3 RDSV 100 E3	100 3,9	73,58	2 x 3 m

Suitable for: distribution cable tray RSV 50... and RSV 100...

Please use turnbolt lock RDRS 2 for RDSV 100 covers and RDRS 2/50 for RDSV 50 covers.



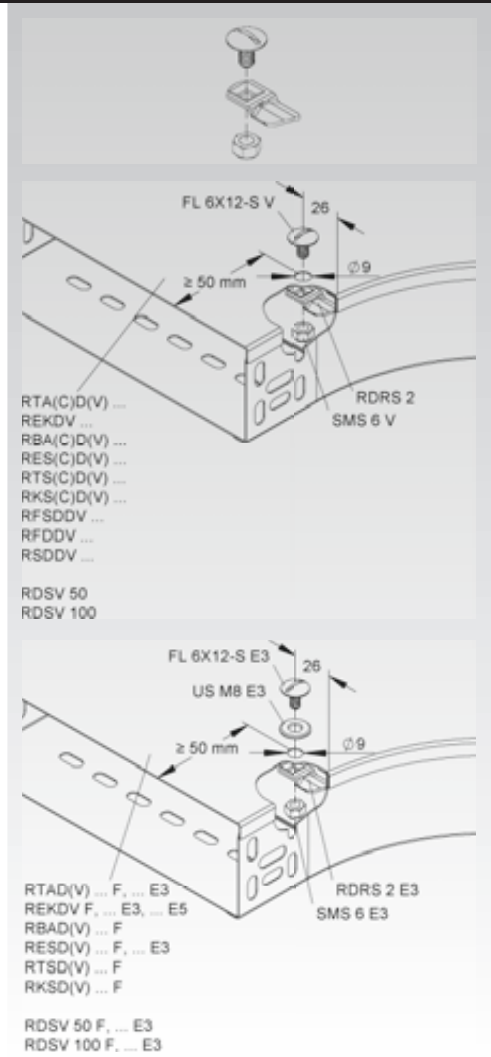
CABLE TRAY SYSTEM

Turnbolt Lock

incl. locking nut

Model no.	Acc. incl.	Weight per 100 pcs kg	Pack/Box Qty
S RDRS 2	1 FL 6X12-S V, 1 SMS 6 V	1,3	100
E3 RDRS 2 E3	1 FL 6X12-S E3, 1 SMS 6 E3, 1 US M8 E3	1,5	100

Suitable for: all R-series fitting covers and RSV 50.100 distribution tray covers
 Not sufficient for securing covers to tray installed vertically or sideways nor for securing covers against windloads. Please use self tapping screws, steel cable ties or coverhinges in addition.



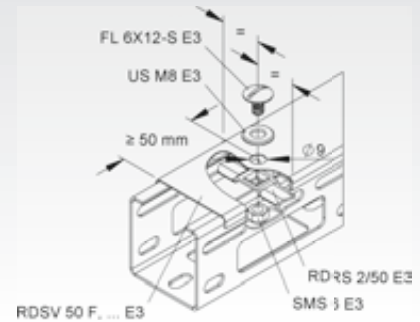
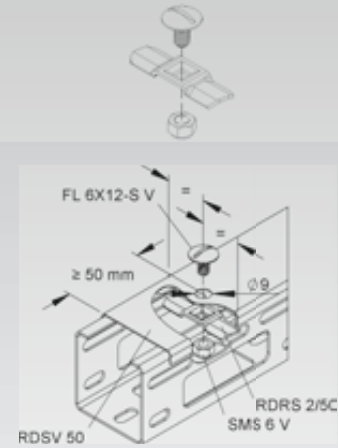
Turnbolt Lock

incl. locking nut

Model no.	Acc. incl.	Weight per 100 pcs kg	Pack/Box Qty
S RDRS 2/50	1 FL 6X12-S V, 1 SMS 6 V	1,3	100
E3 RDRS 2/50 E3	1 FL 6X12-S E3, 1 SMS 6 E3, 1 US M8 E3	1,5	100

Suitable for: RSV 50.050 distribution tray covers
distribution cable tray covers and fittings in 50 mm width

Not sufficient for securing covers to tray installed vertically or sideways nor for securing covers against windloads. Please use self tapping screws, steel cable ties or coverhinges in addition.



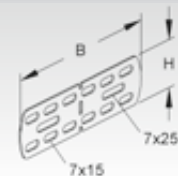
Universal Splice Plate

Model no.	Height H		Width B		Acc. incl.	Weight per 100 pcs kg	Pack/Box Qty
	mm	Inch	mm	Inch			
S RVV 50	44	1,7	135	5,3	4 FLM 6X12	8,70	20
F RVV 50 F	44	1,7	135	5,3	4 FLM 6X12 F	9,75	20
E3 RVV 50 E3	44	1,7	135	5,3	4 FLM 6X12 E3	8,77	20

for straight and angled joints

2 pieces required per joint

Height 50 mm
Quantity 2



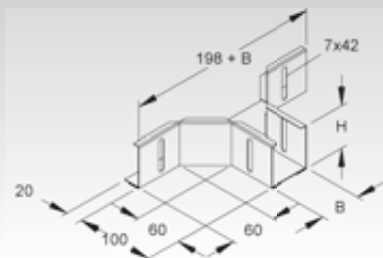
Extension Horizontal Tee

Model no.	Height H		Inside dimension B		Acc. incl.	Weight per 100 pcs kg	Pack/Box Qty
	mm	Inch	mm	Inch			
S RTAK 50.050	50	2	52	2	2 FLM 6X12	25,02	1
S RTAK 50.100	50	2	102	4	2 FLM 6X12	29,73	1
F RTAK 50.050 F	50	2	52	2	2 FLM 6X12 F	27,36	1

Suitable for: mini cable tray RL 50.050 and distribution cable trays RSV 50...

Hot-dip galvanized version RTAK 50.100 F can be special ordered.

Height 50 mm
Quantity 2



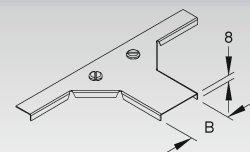
Cover for Horizontal Extension Tee

with turnbolt locks

Model no.	Inside dimension B	Weight per 100 pcs kg	Pack/Box Qty
S RTAKDV 50	54 2,1	12,45	1
S RTAKDV 100	104 4,1	17,00	1

Suitable for: horizontal extension tee RTAK...

Hot-dip galvanized covers can be special ordered.

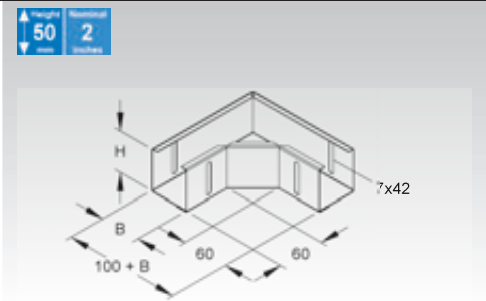


CABLE TRAY SYSTEM

Horizontal Elbow 90°

Model no.	Height H mm Inch	Inside dimension B mm Inch	Acc. incl.	Weight per 100 pcs kg	Pack/Box Qty
S RESK 50.050	50 2	52 2	2 FLM 6X12	32,23	1
S RESK 50.100	50 2	102 4	2 FLM 6X12	50,45	1
F RESK 50.050 F	50 2	52 2	2 FLM 6X12 F	35,54	1

Suitable for: mini cable tray RL 50.050 and distribution cable trays RSV 50...
Hot-dip galvanized version RESK 50.100 F can be special ordered.

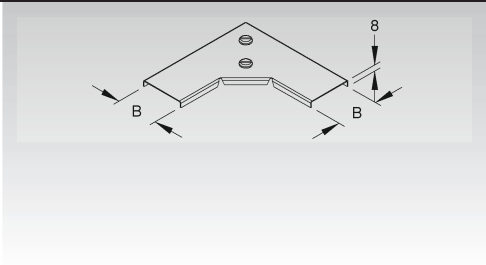


Cover for 90° Horizontal Elbow

with turnbolt locks

Model no.	Inside dimension B mm Inch	Weight per 100 pcs kg	Pack/Box Qty
S RESKDV 50	54 2,1	15,05	1
S RESKDV 100	104 4,1	32,00	1

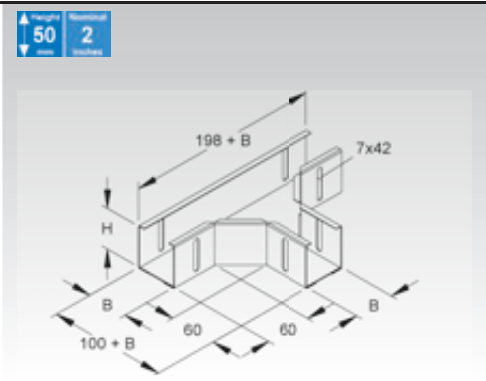
Suitable for: horizontal 90° elbow RESK...
Hot-dip galvanized covers can be special ordered.



Horizontal Tee

Model no.	Height H mm Inch	Inside dimension B mm Inch	Acc. incl.	Weight per 100 pcs kg	Pack/Box Qty
S RTSK 50.050	50 2	52 2	4 FLM 6X12	43,74	1
S RTSK 50.100	50 2	102 4	4 FLM 6X12	63,62	1
F RTSK 50.050 F	50 2	52 2	4 FLM 6X12 F	48,29	1

Suitable for: mini cable tray RL 50.050 and distribution cable trays RSV 50...
Hot-dip galvanized version RTSK 50.100 F can be special ordered.

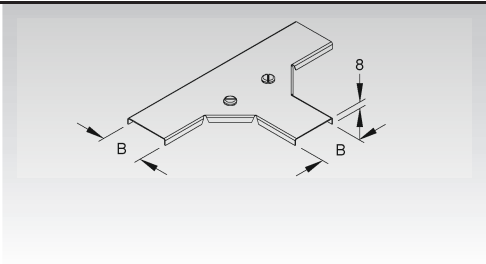


Cover for Horizontal Tee

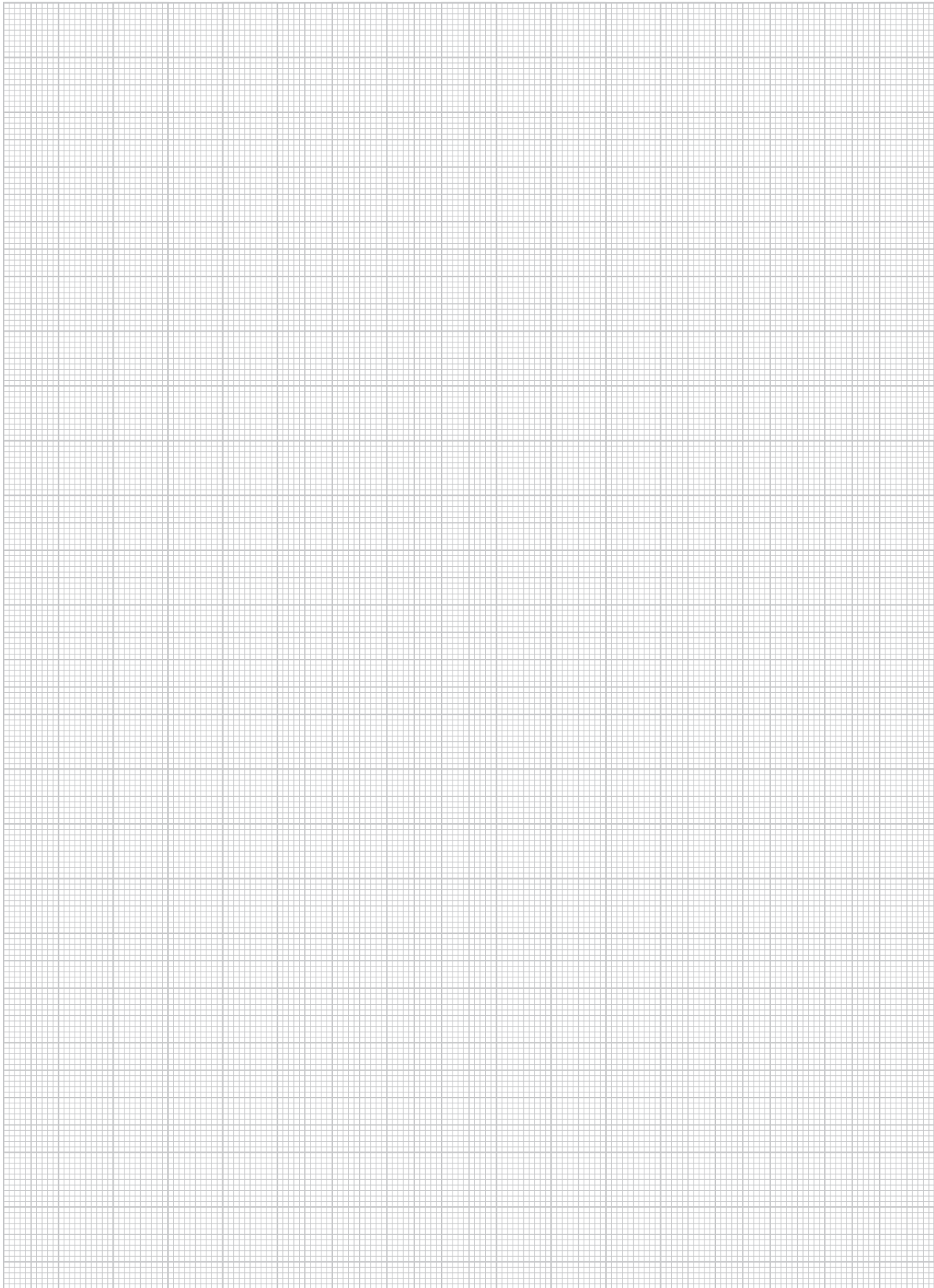
with turnbolt locks

Model no.	Inside dimension B mm Inch	Weight per 100 pcs kg	Pack/Box Qty
S RTSKDV 50	54 2,1	20,37	1
S RTSKDV 100	104 4,1	39,04	1

Suitable for: horizontal tee RTSK...
Hot-dip galvanized covers can be special ordered.



NOTES



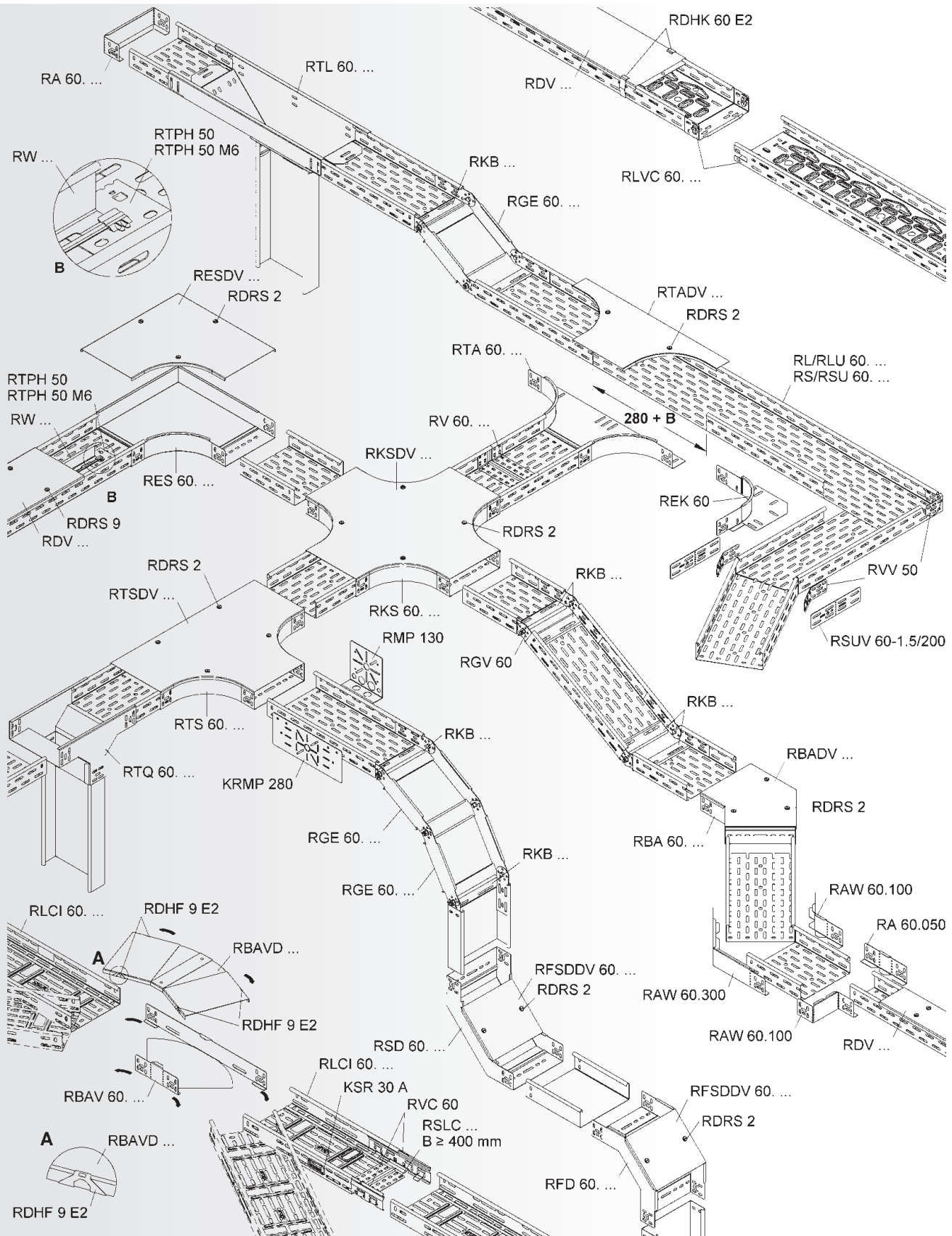
CABLE TRAY SYSTEM

Available Side Rail Heights

SYSTEM			
	Cable Tray	RLVC...	Page 203
	Distribution Cable Tray	RLCI...	Page 203
	Cable Tray	RL...	Page 205
	Cable Tray	RLU...	Page 205
	Heavy Duty Cable Tray	RS...	Page 206
	Heavy Duty Cable Tray	RSU...	Page 206
ACCESSORIES	Boltless Splice Plate	RVC 60	Page 204
	Bottom Connection Plate	RSLC...	Page 204
	Edge Protection Ring	KSR 30 A	Page 204
	U-shaped Splice Plate	RV...	Page 207
	Universal Splice Plate	RVV 50...	Page 207
	★ Universal Splice Plate	RSUV 60-1.5/200 S	Page 207
	Divider	RW...	Page 207
	Splice Plate for Divider	RTV...	Page 208
	Mounting Plate for Divider	RTPH 50...	Page 208
	Extension Horizontal Tee	RTA...	Page 209
	Horizontal Elbow Building Block	REK...	Page 209
	Flexible Horizontal Elbow 0-90°	RBAV...	Page 209
	Horizontal Elbow 45°	RBA...	Page 210
	Horizontal Elbow 90°	RES...	Page 210
	Horizontal Tee	RTS...	Page 210
	Horizontal Cross	RKS...	Page 211
	Reducer/Blind End	RA...	Page 211
	Adjustable Horizontal Splice/Reducer/Blind End	RAW...	Page 211
	Adjustable Vertical Splice Plate	RGV...	Page 211
	Splice/Link Kit	RGE...	Page 212
	Vertical Inside Elbow 90°	RSD...	Page 212
	Vertical Outside Elbow 90°	RFD...	Page 212
	Vertical Tee Down, lengthwise	RTL...	Page 213
	Vertical Tee Down, crosswise	RTQ...	Page 213
	Edge Protection Plate	RKB...	Page 213

See covers for cable trays and fittings on page 242 and following.





CABLE TRAY SYSTEM

Load/Span Class Designation in accordance with NEMA VE 1 and CSA E22.2 No. 126.1

Niedax Series	Minimum Area		Load class in accordance to NEMA VE 1		
	(calculational) mm ² / in. ²	in accordance to NEMA VE 2 mm ² / in. ²	Rated Load Kg/m / lb./ft.	Support spacing m / ft.	Load/Span Class
RLVCX 60.100, ... F	133 / 0.21	129 / 0.2	53 / 35.8	2 / 6.6	5A
RLVCX 60.200, ... F	207 / 0.32	129 / 0.2	53 / 35.8	2 / 6.6	5A
RLVCX 60.300, ... F	222 / 0.34	129 / 0.2	53 / 35.8	2 / 6.6	5A
RLVCX 60.400, ... F	284 / 0.44	258 / 0.4	105 / 70.9	2 / 6.6	5A, A
RLVCX 60.500, ... F	313 / 0.48	258 / 0.4	105 / 70.9	2 / 6.6	5A, A
RLVCX 60.600, ... F	403 / 0.62	258 / 0.4	80 / 54.1	2 / 6.6	5A, A
RLCIX 60.100 S, ... F	152 / 0.24	129 / 0.2	37 / 25	2,4 / 8	8AA
RLCIX 60.200 S, ... F	163 / 0.25	129 / 0.2	37 / 25	2,4 / 8	8AA
RLCIX 60.300 S, ... F	232 / 0.36	129 / 0.2	37 / 25	2,4 / 8	8AA
RLCIX 60.400 S, ... F	267 / 0.41	258 / 0.4	37 / 25	2,4 / 8	8AA
RLCIX 60.500 S, ... F	302 / 0.47	258 / 0.4	37 / 25	2,4 / 8	8AA
RLCIX 60.600 S, ... F	337 / 0.52	258 / 0.4	37 / 25	2,4 / 8	8AA
RLX 60.100, ... F	169 / 0.26	129 / 0.2	93 / 62.5	2 / 6.6	5A, A
RLX 60.150, ... F	202 / 0.31	129 / 0.2	93 / 62.5	2 / 6.6	5A, A
RLX 60.200, ... F	234 / 0.36	129 / 0.2	93 / 62.5	2 / 6.6	5A, A
RLX 60.300, ... F	332 / 0.51	258 / 0.4	93 / 62.5	2 / 6.6	5A, A
RLX 60.400, ... F	404 / 0.63	258 / 0.4	93 / 62.5	2 / 6.6	5A, A
RLX 60.500, ... F	476 / 0.74	452 / 0.7	93 / 62.5	2 / 6.6	5A, A
RLX 60.600, ... F	548 / 0.85	452 / 0.7	93 / 62.5	2 / 6.6	5A, A
RLUX 60.100, ... F	220 / 0.34	129 / 0.2	93 / 62.5	2 / 6.6	5A, A
RLUX 60.150, ... F	265 / 0.41	258 / 0.4	93 / 62.5	2 / 6.6	5A, A
RLUX 60.200, ... F	310 / 0.48	258 / 0.4	93 / 62.5	2 / 6.6	5A, A
RLUX 60.300, ... F	444 / 0.69	258 / 0.4	93 / 62.5	2 / 6.6	5A, A
RLUX 60.400, ... F	544 / 0.84	452 / 0.7	93 / 62.5	2 / 6.6	5A, A
RLUX 60.500, ... F	644 / 1.00	645 / 1.0	93 / 62.5	2 / 6.6	5A, A
RLUX 60.600, ... F	744 / 1.15	645 / 1.0	93 / 62.5	2 / 6.6	5A, A
RLUX 60.100 E3	195 / 0.30	129 / 0.2	93 / 62.5	2 / 6.6	5A, A
RLUX 60.200 E3	275 / 0.43	258 / 0.4	93 / 62.5	2 / 6.6	5A, A
RLUX 60.300 E3	355 / 0.55	258 / 0.4	93 / 62.5	2 / 6.6	5A, A
RLUX 60.400 E3	435 / 0.67	258 / 0.4	93 / 62.5	2 / 6.6	5A, A
RLUX 60.500 E3	580 / 0.90	452 / 0.7	93 / 62.5	2 / 6.6	5A, A
RLUX 60.600 E3	670 / 1.04	645 / 1.0	93 / 62.5	2 / 6.6	5A, A
RSX 60.100, ... F	278 / 0.43	258 / 0.4	173 / 116.3	2 / 6.6	5A, C
RSX 60.200, ... F	386 / 0.60	258 / 0.4	173 / 116.3	2 / 6.6	5A, C
RSX 60.300, ... F	494 / 0.77	452 / 0.7	173 / 116.3	2 / 6.6	5A, C
RSX 60.400, ... F	602 / 0.93	452 / 0.7	173 / 116.3	2 / 6.6	5A, C
RSX 60.500, ... F	710 / 1.10	645 / 1.0	173 / 116.3	2 / 6.6	5A, C
RSX 60.600, ... F	818 / 1.27	645 / 1.0	173 / 116.3	2 / 6.6	5A, C
RSUX 60.100, ... F	362 / 0.56	258 / 0.4	173 / 116.3	2 / 6.6	5A, C
RSUX 60.200, ... F	512 / 0.79	452 / 0.7	173 / 116.3	2 / 6.6	5A, C
RSUX 60.300, ... F	662 / 1.03	645 / 1.0	173 / 116.3	2 / 6.6	5A, C
RSUX 60.400, ... F	812 / 1.26	645 / 1.0	173 / 116.3	2 / 6.6	5A, C
RSUX 60.500, ... F	962 / 1.49	645 / 1.0	173 / 116.3	2 / 6.6	5A, C
RSUX 60.600, ... F	1112 / 1.72	968 / 1.5	173 / 116.3	2 / 6.6	5A, C



Cable Tray

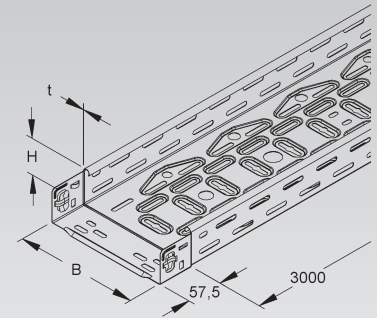
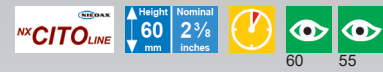
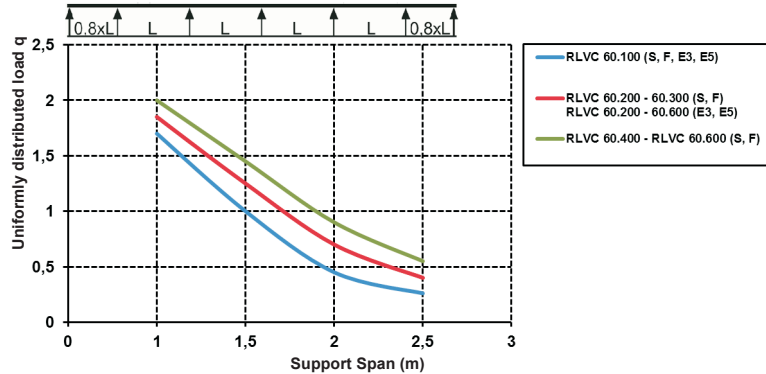
ventilated, with integrated molded splice plate

	Model no.	Height H		Width B		Thick-ness t	Weight per 100	Pack/Box Qty
		mm	Inch	mm	Inch			
S	RLVC 60.100	60	2,4	100	3,9	0,75	128,52	2 x 3 m
S	RLVC 60.200	60	2,4	200	7,9	0,75	186,69	2 x 3 m
S	RLVC 60.300	60	2,4	300	11,8	0,75	243,15	2 x 3 m
S	RLVC 60.400	60	2,4	400	15,7	0,90	358,78	2 x 3 m
S	RLVC 60.500	60	2,4	500	19,7	0,90	425,74	2 x 3 m
S	RLVC 60.600	60	2,4	600	23,6	0,90	499,90	2 x 3 m

bottom plate and side rail perforated with staggered punch holes

Hole pattern may vary based on width of tray.

Load Chart: q = uniformly distributed load (tested according to DIN EN IEC 61537 standard)



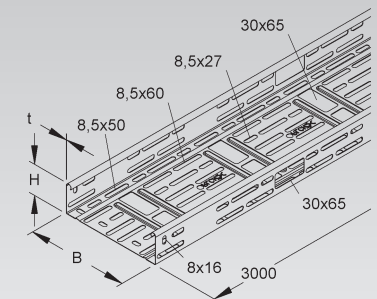
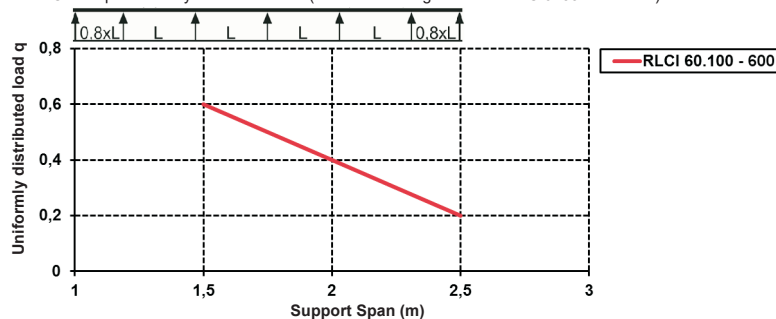
Distribution Cable Tray

	Model no.	Height H		Width B		Thick-ness t	Weight per 100	Pack/Box Qty
		mm	Inch	mm	Inch			
S	RLCI 60.100 S	60	2,4	100	3,9	0,9	140,46	2 x 3 m
S	RLCI 60.200 S	60	2,4	200	7,9	0,9	195,54	2 x 3 m
S	RLCI 60.300 S	60	2,4	300	11,8	1,0	272,34	2 x 3 m
S	RLCI 60.400 S	60	2,4	400	15,7	1,0	323,95	2 x 3 m
S	RLCI 60.500 S	60	2,4	500	19,7	1,0	375,60	2 x 3 m
S	RLCI 60.600 S	60	2,4	600	23,6	1,0	427,26	2 x 3 m

designed for installation under sprinkler systems

Two RVC 60 splice plates included with every piece of cable tray.

Load Chart: q = uniformly distributed load (tested according to DIN EN IEC 61537 standard)



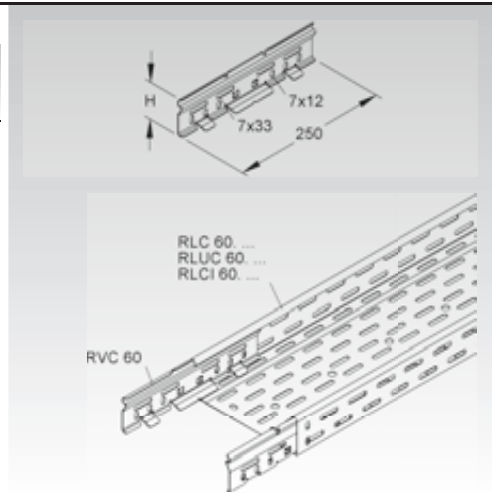
CABLE TRAY SYSTEM

Boltless Splice Plate

Model no.	Height H mm Inch	Weight per 100 pc. kg	Pack/Box Qty
S RVC 60	60 2,4	16,96	50

2 pieces required per joint

Suitable for: cable tray RLCI 60...

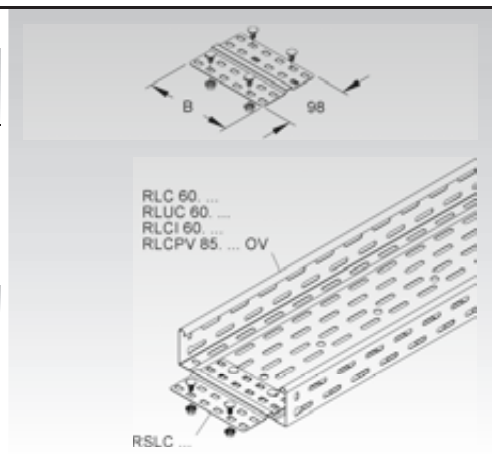


Bottom Connection Plate

Model no.	Width B mm Inch	Acc. incl.	Weight per 100 pc./ kg	Pack/Box Qty
S RSLC 100	41,5 1,6	4 FLM 6X12	6,11	10
S RSLC 200	139,0 5,5	4 FLM 6X12	12,85	10
S RSLC 300	239,0 9,4	4 FLM 6X12	19,79	10
S RSLC 400	339,0 13,3	4 FLM 6X12	26,73	10
S RSLC 500	439,0 17,3	4 FLM 6X12	33,67	10
S RSLC 600	539,0 21,2	4 FLM 6X12	40,61	10

for stabilizing the bottom plate of cable trays

Suitable for: cable trays RLCI 60... und RLCPV 85... OV



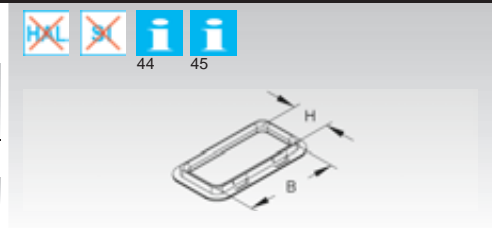
Edge Protection Ring

UV resistant

Model no.	Color	Inside height H mm Inch	Inside dimension B mm Inch	Weight per 100 pcs kg	Pack/Box Qty
K04 KSR 30 A	black	24 0,9	58 2,3	0,38	20

to protect cables at the knockouts

Suitable for: distribution cable trays RSV 50... and RLCI 60...



Cable Tray

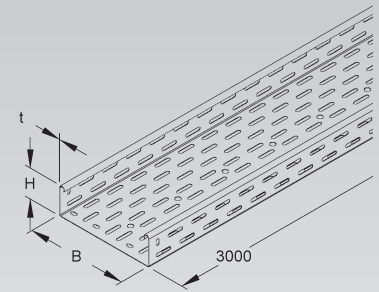
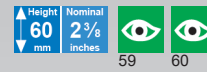
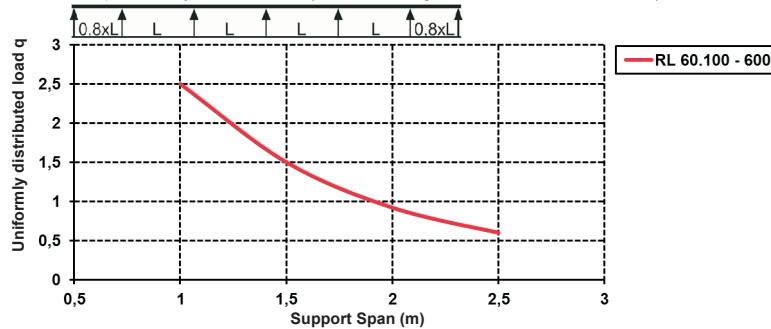
ventilated

	Model no.	Height H		Width B		Thick-ness t	Acc. incl.	Weight per 100 m kg	Pack/Box Qty
		mm Inch	mm Inch	mm Inch	mm Inch				
S	RL 60.100	60 2,4	100 3,9	0,9	8 FLM 6X12	159,00	2 x 3 m		
S	RL 60.150	60 2,4	150 5,9	0,9	8 FLM 6X12	185,32	2 x 3 m		
S	RL 60.200	60 2,4	200 7,9	0,9	8 FLM 6X12	216,03	2 x 3 m		
S	RL 60.300	60 2,4	300 11,8	1,0	10 FLM 6X12	306,06	2 x 3 m		
S	RL 60.400	60 2,4	400 15,7	1,0	12 FLM 6X12	374,17	2 x 3 m		
S	RL 60.500	60 2,4	500 19,7	1,0	12 FLM 6X12	442,15	2 x 3 m		
S	RL 60.600	60 2,4	600 23,6	1,0	12 FLM 6X12	530,00	2 x 3 m		
F	RL 60.100 F	60 2,4	100 3,9	0,9	8 FLM 6X12 F	170,04	2 x 3 m		
F	RL 60.150 F	60 2,4	150 5,9	0,9	8 FLM 6X12 F	187,00	2 x 3 m		
F	RL 60.200 F	60 2,4	200 7,9	0,9	8 FLM 6X12 F	237,08	2 x 3 m		
F	RL 60.300 F	60 2,4	300 11,8	1,0	10 FLM 6X12 F	336,75	2 x 3 m		
F	RL 60.400 F	60 2,4	400 15,7	1,0	12 FLM 6X12 F	372,39	2 x 3 m		
F	RL 60.500 F	60 2,4	500 19,7	1,0	12 FLM 6X12 F	485,96	2 x 3 m		
F	RL 60.600 F	60 2,4	600 23,6	1,0	12 FLM 6X12 F	560,20	2 x 3 m		

Centered punchholes allow hanging with M10 (3/8") threaded rod.
Bottom plate and side rail perforated with staggered punch holes.

One RV... splice plate included with every piece of cable tray.

Load Chart: q = uniformly distributed load (tested according to DIN EN IEC 61537 standard)

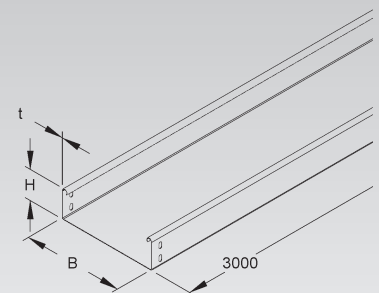


Cable Tray

solid, but with splice plate perforation

	Model no.	Height H		Width B		Thick-ness t	Acc. incl.	Weight per 100 m kg	Pack/Box Qty
		mm Inch	mm Inch	mm Inch	mm Inch				
S	RLU 60.100	60 2,4	100 3,9	0,9	8 FLM 6X12	178,40	2 x 3 m		
S	RLU 60.150	60 2,4	150 5,9	0,9	8 FLM 6X12	214,75	2 x 3 m		
S	RLU 60.200	60 2,4	200 7,9	0,9	8 FLM 6X12	251,10	2 x 3 m		
S	RLU 60.300	60 2,4	300 11,8	1,0	10 FLM 6X12	358,60	2 x 3 m		
S	RLU 60.400	60 2,4	400 15,7	1,0	12 FLM 6X12	439,63	2 x 3 m		
S	RLU 60.500	60 2,4	500 19,7	1,0	12 FLM 6X12	520,18	2 x 3 m		
S	RLU 60.600	60 2,4	600 23,6	1,0	12 FLM 6X12	600,73	2 x 3 m		
F	RLU 60.100 F	60 2,4	100 3,9	0,9	8 FLM 6X12 F	196,37	2 x 3 m		
F	RLU 60.200 F	60 2,4	200 7,9	0,9	8 FLM 6X12 F	276,38	2 x 3 m		
F	RLU 60.300 F	60 2,4	300 11,8	1,0	10 FLM 6X12 F	394,68	2 x 3 m		
F	RLU 60.400 F	60 2,4	400 15,7	1,0	12 FLM 6X12 F	483,87	2 x 3 m		
F	RLU 60.500 F	60 2,4	500 19,7	1,0	12 FLM 6X12 F	572,52	2 x 3 m		
F	RLU 60.600 F	60 2,4	600 23,6	1,0	12 FLM 6X12 F	661,16	2 x 3 m		
E3	RLU 60.100 E3	60 2,4	100 3,9	0,8	8 FLM 6X12 E3	159,00	2 x 3 m		
E3	RLU 60.200 E3	60 2,4	200 7,9	0,8	8 FLM 6X12 E3	215,00	2 x 3 m		
E3	RLU 60.300 E3	60 2,4	300 11,8	0,8	10 FLM 6X12 E3	292,00	2 x 3 m		
E3	RLU 60.400 E3	60 2,4	400 15,7	0,8	12 FLM 6X12 E3	352,00	2 x 3 m		
E3	RLU 60.500 E3	60 2,4	500 19,7	0,9	12 FLM 6X12 E3	472,00	2 x 3 m		
E3	RLU 60.600 E3	60 2,4	600 23,6	0,9	12 FLM 6X12 E3	539,00	2 x 3 m		

One RV... splice plate included with every piece of cable tray.



CABLE TRAY SYSTEM

Heavy Duty Cable Tray

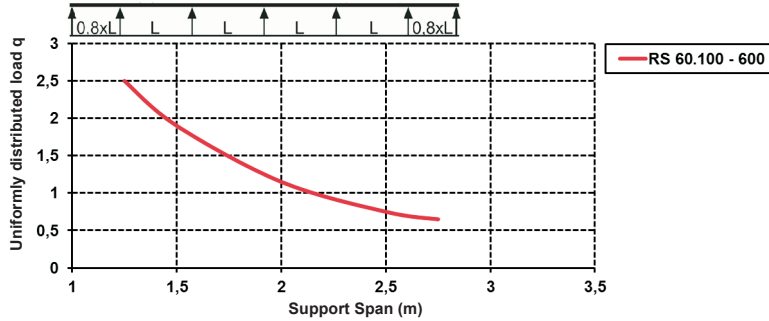
ventilated

	Model no.	Height H		Width B		Thick-ness t	Acc. incl.	Weight per 100 m	Pack/Box Qty
		mm	Inch	mm	Inch				
S	RS 60.100	60	2,4	100	3,9	1,5	8 FLM 6X12	249,60	2 x 3 m
S	RS 60.200	60	2,4	200	7,9	1,5	8 FLM 6X12	349,94	2 x 3 m
S	RS 60.300	60	2,4	300	11,8	1,5	10 FLM 6X12	450,74	2 x 3 m
S	RS 60.400	60	2,4	400	15,7	1,5	12 FLM 6X12	551,56	2 x 3 m
S	RS 60.500	60	2,4	500	19,7	1,5	12 FLM 6X12	652,07	2 x 3 m
S	RS 60.600	60	2,4	600	23,6	1,5	12 FLM 6X12	787,00	2 x 3 m
F	RS 60.100 F	60	2,4	100	3,9	1,5	8 FLM 6X12 F	274,67	2 x 3 m
F	RS 60.200 F	60	2,4	200	7,9	1,5	8 FLM 6X12 F	384,99	2 x 3 m
F	RS 60.300 F	60	2,4	300	11,8	1,5	10 FLM 6X12 F	495,90	2 x 3 m
F	RS 60.400 F	60	2,4	400	15,7	1,5	12 FLM 6X12 F	606,82	2 x 3 m
F	RS 60.500 F	60	2,4	500	19,7	1,5	12 FLM 6X12 F	717,13	2 x 3 m
F	RS 60.600 F	60	2,4	600	23,6	1,5	12 FLM 6X12 F	827,45	2 x 3 m

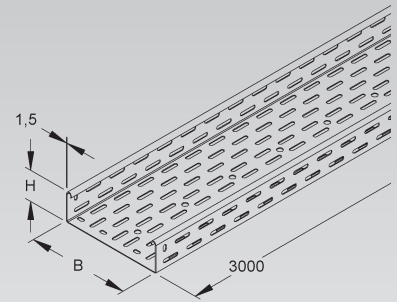
Bottom plate and side rail perforated with staggered punch holes. Centered punchholes allow hanging with M10 (3/8") threaded rod.

One RV... splice plate included with every piece of cable tray.

Load Chart: q = uniformly distributed load (tested according to DIN EN IEC 61537 standard)



Height 60 mm
Nominal 2 3/8 inches
60



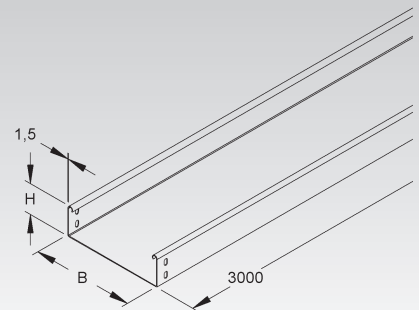
Heavy Duty Cable Tray

solid, but with splice plate perforation

	Model no.	Height H		Width B		Thick-ness t	Acc. incl.	Weight per 100 m	Pack/Box Qty
		mm	Inch	mm	Inch				
S	RSU 60.100	60	2,4	100	3,9	1,5	8 FLM 6X12	289,84	2 x 3 m
S	RSU 60.200	60	2,4	200	7,9	1,5	8 FLM 6X12	409,66	2 x 3 m
S	RSU 60.300	60	2,4	300	11,8	1,5	10 FLM 6X12	529,92	2 x 3 m
S	RSU 60.400	60	2,4	400	15,7	1,5	12 FLM 6X12	650,21	2 x 3 m
S	RSU 60.500	60	2,4	500	19,7	1,5	12 FLM 6X12	770,00	2 x 3 m
S	RSU 60.600	60	2,4	600	23,6	1,5	12 FLM 6X12	889,79	2 x 3 m
F	RSU 60.100 F	60	2,4	100	3,9	1,5	8 FLM 6X12 F	318,60	2 x 3 m
F	RSU 60.200 F	60	2,4	200	7,9	1,5	8 FLM 6X12 F	450,36	2 x 3 m
F	RSU 60.300 F	60	2,4	300	11,8	1,5	10 FLM 6X12 F	582,66	2 x 3 m
F	RSU 60.400 F	60	2,4	400	15,7	1,5	12 FLM 6X12 F	714,85	2 x 3 m
F	RSU 60.500 F	60	2,4	500	19,7	1,5	12 FLM 6X12 F	846,64	2 x 3 m
F	RSU 60.600 F	60	2,4	600	23,6	1,5	12 FLM 6X12 F	978,41	2 x 3 m

One RV... splice plate included with every piece of cable tray.

Height 60 mm
Nominal 2 3/8 inches

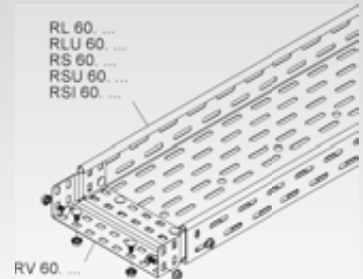
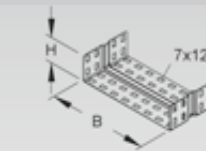


U-shaped Splice Plate

Model no.	Height H		Width B		Acc. incl.	Weight per 100 pcs/pc. kg	Pack/Box Qty
	mm	Inch	mm	Inch			
S RV 60.100	49	1,9	96	3,8	8 FLM 6X12	17,64	1
S RV 60.150	49	1,9	146	5,7	8 FLM 6X12	20,71	1
S RV 60.200	49	1,9	196	7,7	8 FLM 6X12	25,37	1
S RV 60.300	49	1,9	296	11,7	10 FLM 6X12	31,51	1
S RV 60.400	49	1,9	396	15,6	12 FLM 6X12	39,25	1
S RV 60.500	49	1,9	496	19,5	12 FLM 6X12	45,38	1
S RV 60.600	49	1,9	596	23,5	12 FLM 6X12	51,52	1
F RV 60.100 F	49	1,9	96	3,8	8 FLM 6X12 F	19,56	1
F RV 60.200 F	49	1,9	196	7,7	8 FLM 6X12 F	27,56	1
F RV 60.300 F	49	1,9	296	11,7	10 FLM 6X12 F	34,86	1
F RV 60.400 F	49	1,9	396	15,6	12 FLM 6X12 F	43,42	1
F RV 60.500 F	49	1,9	496	19,5	12 FLM 6X12 F	50,16	1
F RV 60.600 F	49	1,9	596	23,5	12 FLM 6X12 F	56,91	1
E3 RV 60.100 E3	49	1,9	96	3,8	8 FLM 6X12 E3	18,59	1
E3 RV 60.200 E3	49	1,9	196	7,7	8 FLM 6X12 E3	26,58	1
E3 RV 60.300 E3	49	1,9	296	11,7	10 FLM 6X12 E3	32,76	1
E3 RV 60.400 E3	49	1,9	396	15,6	12 FLM 6X12 E3	40,76	1
E3 RV 60.500 E3	49	1,9	496	19,5	12 FLM 6X12 E3	46,93	1
E3 RV 60.600 E3	49	1,9	596	23,5	12 FLM 6X12 E3	53,11	1

Suitable for: cable trays RL..., RLU..., RS... and RSU...

Height 60 mm
Standard 2%
Packaging



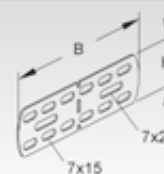
Universal Splice Plate

Model no.	Height H		Width B		Acc. incl.	Weight per 100 pcs kg	Pack/Box Qty
	mm	Inch	mm	Inch			
S RVV 50	44	1,7	135	5,3	4 FLM 6X12	8,70	20
F RVV 50 F	44	1,7	135	5,3	4 FLM 6X12 F	9,75	20
E3 RVV 50 E3	44	1,7	135	5,3	4 FLM 6X12 E3	8,77	20
E5 RVV 50 E5	44	1,7	135	5,3	4 FLM 6X12 E5	8,86	20

for straight and angled joints

2 pieces required per joint

Height 50 mm
Standard 2
Packaging



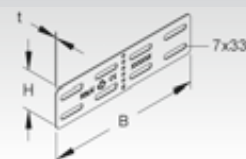
Universal Splice Plate

Model no.	Height H		Width B		Thickness t	Acc. incl.	Weight per 100 kg	Pack/Box Qty
	mm	Inch	mm	Inch				
S RSUV 60-1.5/200 S	51	2	200	7,9	1,5	4 FLM 6X12	9,76	50

for straight and angled joints

2 pieces required per joint

Height 60 mm
Standard 2%
Packaging



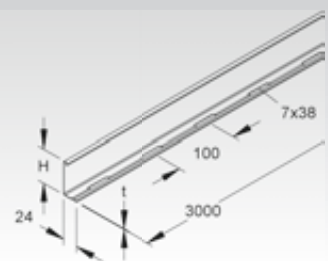
Divider

Model no.	Height H		Thickness t	Acc. incl.	Weight per 100 m/kg	Pack/Box Qty
	mm	Inch				
S RW 50	47	1,9	0,75	4 FLM 6X12	45,05	10 x 3 m
S RW 60	55	2,2	0,75	4 FLM 6X12	49,86	10 x 3 m
F RW 50 F	47	1,9	0,75	4 FLM 6X12 F	49,58	10 x 3 m
F RW 60 F	55	2,2	0,75	4 FLM 6X12 F	54,87	10 x 3 m
E3 RW 50 E3	47	1,9	0,80	4 FLM 6X12 E3	48,32	10 x 3 m
E3 RW 60 E3	55	2,2	0,80	4 FLM 6X12 E3	53,48	10 x 3 m

to separate wires and cables of different voltage levels or with different functions

Height 50 mm
Standard 2
Packaging

Height 60 mm
Standard 2%
Packaging



CABLE TRAY SYSTEM

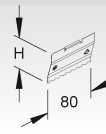
Splice Plate for Divider

Model no.	Height H	Length L	Weight per 100 pcs kg	Pack/Box Qty
	mm Inch	mm Inch		
E2 RTV 50 E2	46,5 1,8	80 3,1	1,18	20
E2 RTV 60 E2	54,5 2,1	80 3,1	1,39	20

for positive locking connections and proper bonding of dividers



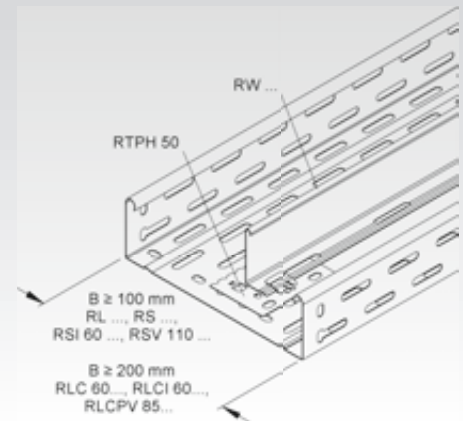
76



Mounting Plate for Divider

Model no.	Length L	Width B	Thickness t	Weight per 100 pcs kg	Pack/Box Qty
	mm Inch	mm Inch	mm		
S RTPH 50	83 3,3	59 2,3	0,9	3,36	20

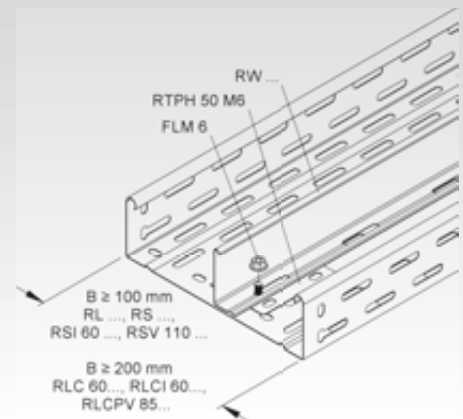
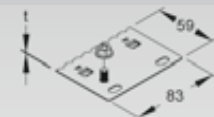
Mounting plate with locking mechanism for fast installation of dividers in ventilated cable tray series RL.../RS... series (min. width 100 mm) and ventilated cable trays series RLCI 60... / RLCPV 85... (min. width 200 mm).



Mounting Plate for Divider with M6 Stud

Model no.	Length L	Width B	Thickness t	Acc. incl.	Weight per 100 pcs kg	Pack/Box Qty
	mm Inch	mm Inch	mm			
S RTPH 50 M6	83 3,3	59 2,3	0,9	1 SMF6	3,98	50

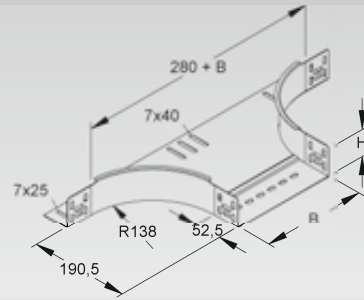
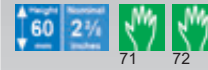
Mounting plate with locking mechanism for fast installation of dividers in ventilated cable tray series RL.../RS... series (min. width 100 mm) and ventilated cable trays series RLCI 60... / RLCPV 85... (min. width 200 mm). With M6 locking stud.



Extension Horizontal Tee

with integrated splice

	Model no.	Height H		Inside dimension B		Acc. incl.	Weight per 100 pcs/pc. kg	Pack/Box Qty
		mm	Inch	mm	Inch			
S	RTA 60.100	60	2,4	102	4	10 FLM 6X12	79,21	1
S	RTA 60.150	60	2,4	152	6	10 FLM 6X12	86,50	1
S	RTA 60.200	60	2,4	202	8	10 FLM 6X12	94,90	1
S	RTA 60.300	60	2,4	302	11,9	10 FLM 6X12	113,06	1
S	RTA 60.400	60	2,4	402	15,8	10 FLM 6X12	129,10	1
S	RTA 60.500	60	2,4	502	19,8	10 FLM 6X12	145,50	1
S	RTA 60.600	60	2,4	602	23,7	10 FLM 6X12	162,40	1
F	RTA 60.100 F	60	2,4	102	4	10 FLM 6X12 F	85,00	1
F	RTA 60.150 F	60	2,4	152	6	10 FLM 6X12 F	94,40	1
F	RTA 60.200 F	60	2,4	202	8	10 FLM 6X12 F	104,63	1
F	RTA 60.300 F	60	2,4	302	11,9	10 FLM 6X12 F	122,30	1
F	RTA 60.400 F	60	2,4	402	15,8	10 FLM 6X12 F	141,20	1
F	RTA 60.500 F	60	2,4	502	19,8	10 FLM 6X12 F	159,30	1
F	RTA 60.600 F	60	2,4	602	23,7	10 FLM 6X12 F	177,80	1
E3	RTA 60.100 E3	60	2,4	102	4	10 FLM 6X12 E3	72,09	1
E3	RTA 60.200 E3	60	2,4	202	8	10 FLM 6X12 E3	87,18	1
E3	RTA 60.300 E3	60	2,4	302	11,9	10 FLM 6X12 E3	102,31	1
E3	RTA 60.400 E3	60	2,4	402	15,8	10 FLM 6X12 E3	136,98	1
E3	RTA 60.500 E3	60	2,4	502	19,8	10 FLM 6X12 E3	155,46	1
E3	RTA 60.600 E3	60	2,4	602	23,7	10 FLM 6X12 E3	174,38	1

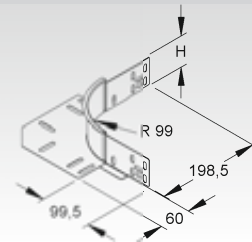
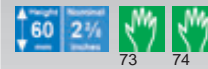


Horizontal Elbow Building Block

with integrated splice

	Model no.	Height H		Acc. incl.	Weight per 100 pcs kg	Pack/Box Qty
		mm	Inch			
S	REK 60	60	2,4	6 FLM 6X12	31,67	10
F	REK 60 F	60	2,4	6 FLM 6X12 F	35,11	10
E3	REK 60 E3	60	2,4	6 FLM 6X12 E3	30,66	10
E5	REK 60 E5	60	2,4	6 FLM 6X12 E5	30,97	10

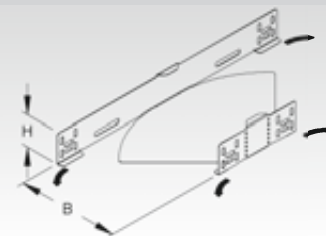
for building customized horizontal cable tray fittings



Flexible Horizontal Elbow 0-90°

with integrated splice

	Model no.	Height H		Inside dimension B		Acc. incl.	Weight per 100 pcs/pc. kg	Pack/Box Qty
		mm	Inch	mm	Inch			
S	RBAV 60.100	60	2,4	100	3,9	10 FLM 6X12	44,11	1
S	RBAV 60.150	60	2,4	150	5,9	10 FLM 6X12	58,15	1
S	RBAV 60.200	60	2,4	200	7,9	10 FLM 6X12	73,71	1
S	RBAV 60.300	60	2,4	300	11,8	10 FLM 6X12	115,39	1
S	RBAV 60.400	60	2,4	400	15,7	10 FLM 6X12	167,07	1
S	RBAV 60.500	60	2,4	500	19,7	14 FLM 6X12	237,47	1
S	RBAV 60.600	60	2,4	600	23,6	14 FLM 6X12	315,84	1



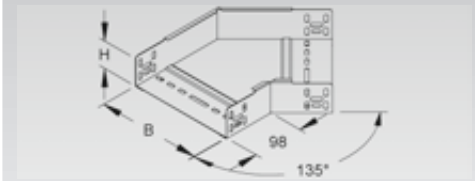
CABLE TRAY SYSTEM

Horizontal Elbow 45°

with integrated splice

	Model no.	Height H		Inside dimension B		Acc. incl.	Weight per 100 pcs/pc. kg	Pack/Box Qty
		mm	Inch	mm	Inch			
S	RBA 60.100	60	2,4	102	4	4 FLM 6X12	42,90	1
S	RBA 60.150	60	2,4	152	6	4 FLM 6X12	59,98	1
S	RBA 60.200	60	2,4	202	8	5 FLM 6X12	72,80	1
S	RBA 60.300	60	2,4	302	11,9	5 FLM 6X12	109,10	1
S	RBA 60.400	60	2,4	402	15,8	6 FLM 6X12	152,10	1
S	RBA 60.500	60	2,4	502	19,8	6 FLM 6X12	205,43	1
S	RBA 60.600	60	2,4	602	23,7	6 FLM 6X12	260,46	1
F	RBA 60.100 F	60	2,4	102	4	4 FLM 6X12 F	50,14	1
F	RBA 60.150 F	60	2,4	152	6	4 FLM 6X12 F	46,00	1
F	RBA 60.200 F	60	2,4	202	8	5 FLM 6X12 F	83,61	1
F	RBA 60.300 F	60	2,4	302	11,9	5 FLM 6X12 F	117,40	1
F	RBA 60.400 F	60	2,4	402	15,8	6 FLM 6X12 F	163,60	1
F	RBA 60.500 F	60	2,4	502	19,8	6 FLM 6X12 F	216,60	1
F	RBA 60.600 F	60	2,4	602	23,7	6 FLM 6X12 F	276,80	1

Height 60 mm
Load 2%
Material Galvalume

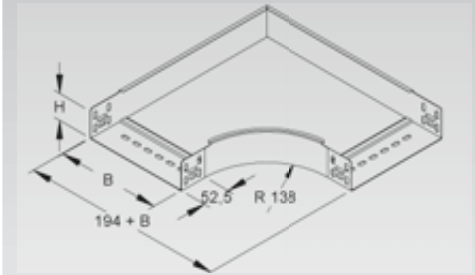


Horizontal Elbow 90°

with integrated splice

	Model no.	Height H		Inside dimension B		Acc. incl.	Weight per 100 pcs/pc. kg	Pack/Box Qty
		mm	Inch	mm	Inch			
S	RES 60.100	60	2,4	102	4	4 FLM 6X12	87,50	1
S	RES 60.150	60	2,4	152	6	4 FLM 6X12	115,70	1
S	RES 60.200	60	2,4	202	8	5 FLM 6X12	156,80	1
S	RES 60.300	60	2,4	302	11,9	5 FLM 6X12	237,70	1
S	RES 60.400	60	2,4	402	15,8	6 FLM 6X12	333,80	1
S	RES 60.500	60	2,4	502	19,8	6 FLM 6X12	446,10	1
S	RES 60.600	60	2,4	602	23,7	6 FLM 6X12	574,00	1
F	RES 60.100 F	60	2,4	102	4	4 FLM 6X12 F	99,42	1
F	RES 60.150 F	60	2,4	152	6	4 FLM 6X12 F	125,00	1
F	RES 60.200 F	60	2,4	202	8	5 FLM 6X12 F	176,54	1
F	RES 60.300 F	60	2,4	302	11,9	5 FLM 6X12 F	265,49	1
F	RES 60.400 F	60	2,4	402	15,8	6 FLM 6X12 F	358,90	1
F	RES 60.500 F	60	2,4	502	19,8	6 FLM 6X12 F	479,50	1
F	RES 60.600 F	60	2,4	602	23,7	6 FLM 6X12 F	617,10	1
E3	RES 60.100 E3	60	2,4	102	4	4 FLM 6X12 E3	81,67	1
E3	RES 60.200 E3	60	2,4	202	8	5 FLM 6X12 E3	136,10	1
E3	RES 60.300 E3	60	2,4	302	11,9	5 FLM 6X12 E3	202,25	1
E3	RES 60.400 E3	60	2,4	402	15,8	6 FLM 6X12 E3	281,62	1
E3	RES 60.500 E3	60	2,4	502	19,8	6 FLM 6X12 E3	373,05	1
E3	RES 60.600 E3	60	2,4	602	23,7	6 FLM 6X12 E3	477,11	1

Height 60 mm
Load 2%
Material Galvalume

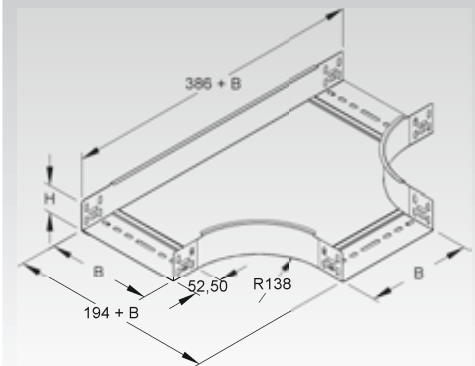


Horizontal Tee

with integrated splice

	Model no.	Height H		Inside dimension B		Acc. incl.	Weight per 100 pcs/pc. kg	Pack/Box Qty
		mm	Inch	mm	Inch			
S	RTS 60.100	60	2,4	102	4	8 FLM 6X12	115,40	1
S	RTS 60.150	60	2,4	152	6	8 FLM 6X12	147,20	1
S	RTS 60.200	60	2,4	202	8	10 FLM 6X12	195,40	1
S	RTS 60.300	60	2,4	302	11,9	12 FLM 6X12	294,80	1
S	RTS 60.400	60	2,4	402	15,8	12 FLM 6X12	399,68	1
S	RTS 60.500	60	2,4	502	19,8	12 FLM 6X12	511,90	1
S	RTS 60.600	60	2,4	602	23,7	12 FLM 6X12	648,80	1
F	RTS 60.100 F	60	2,4	102	4	8 FLM 6X12 F	133,41	1
F	RTS 60.150 F	60	2,4	152	6	8 FLM 6X12 F	159,00	1
F	RTS 60.200 F	60	2,4	202	8	10 FLM 6X12 F	210,00	1
F	RTS 60.300 F	60	2,4	302	11,9	12 FLM 6X12 F	322,62	1
F	RTS 60.400 F	60	2,4	402	15,8	12 FLM 6X12 F	420,00	1
F	RTS 60.500 F	60	2,4	502	19,8	12 FLM 6X12 F	550,30	1
F	RTS 60.600 F	60	2,4	602	23,7	12 FLM 6X12 F	697,50	1

Height 60 mm
Load 2%
Material Galvalume

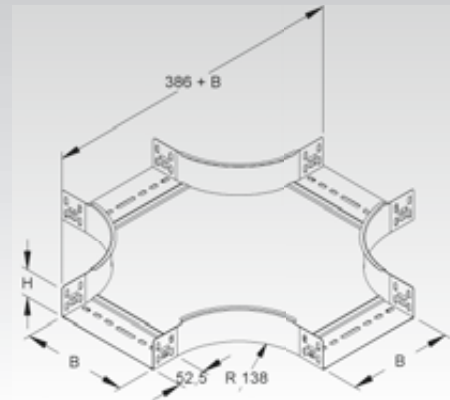


Horizontal Cross

with integrated splice

Model no.		Height H	Inside dimension B	Acc. incl.	Weight per 100 pcs/pc. kg	Pack/Box Qty
		mm Inch	mm Inch			
S	RKS 60.100	60 2,4	102 4	12 FLM 6X12	159,37	1
S	RKS 60.150	60 2,4	152 6	12 FLM 6X12	190,20	1
S	RKS 60.200	60 2,4	202 8	15 FLM 6X12	233,70	1
S	RKS 60.300	60 2,4	302 11,9	15 FLM 6X12	332,40	1
S	RKS 60.400	60 2,4	402 15,8	18 FLM 6X12	460,47	1
S	RKS 60.500	60 2,4	502 19,8	18 FLM 6X12	577,10	1
S	RKS 60.600	60 2,4	602 23,7	18 FLM 6X12	722,90	1
F	RKS 60.100 F	60 2,4	102 4	12 FLM 6X12 F	161,90	1
F	RKS 60.150 F	60 2,4	152 6	12 FLM 6X12 F	205,00	1
F	RKS 60.200 F	60 2,4	202 8	15 FLM 6X12 F	251,20	1
F	RKS 60.300 F	60 2,4	302 11,9	15 FLM 6X12 F	357,40	1
F	RKS 60.400 F	60 2,4	402 15,8	18 FLM 6X12 F	480,40	1
F	RKS 60.500 F	60 2,4	502 19,8	18 FLM 6X12 F	620,30	1
F	RKS 60.600 F	60 2,4	602 23,7	18 FLM 6X12 F	777,10	1

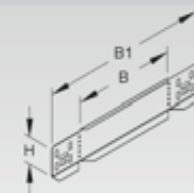
↑ Height 60 mm ↓
↑ Material 2% ↓
↑ Thickness



Reducer/Blind End

Model no.		Height H	Width B	Width B1	Acc. incl.	Weight per 100 pcs/pc. kg	Pack/Box Qty
		mm Inch	mm Inch	mm Inch			
S	RA 60.050	60 2,4	50 2	172 6,8	4 FLM 6X12	11,1	20
S	RA 60.150	60 2,4	150 5,9	272 10,7	4 FLM 6X12	17,0	20
S	RA 60.200	60 2,4	200 7,9	322 12,7	4 FLM 6X12	19,9	20
S	RA 60.400	60 2,4	400 15,7	522 20,6	4 FLM 6X12	31,8	20
S	RA 60.500	60 2,4	500 19,7	622 24,5	4 FLM 6X12	37,7	20
S	RA 60.600	60 2,4	600 23,6	722 28,4	4 FLM 6X12	43,7	20
F	RA 60.150 F	60 2,4	150 5,9	272 10,7	4 FLM 6X12 F	18,4	1
F	RA 60.200 F	60 2,4	200 7,9	322 12,7	4 FLM 6X12 F	21,6	1
F	RA 60.400 F	60 2,4	400 15,7	522 20,6	4 FLM 6X12 F	34,7	1
F	RA 60.500 F	60 2,4	500 19,7	622 24,5	4 FLM 6X12 F	41,2	1
F	RA 60.600 F	60 2,4	600 23,6	722 28,4	4 FLM 6X12 F	47,7	1
E3	RA 60.200 E3	60 2,4	200 7,9	322 12,7	4 FLM 6X12 E3	18,1	20
E3	RA 60.400 E3	60 2,4	400 15,7	522 20,6	4 FLM 6X12 E3	32,0	20
E3	RA 60.500 E3	60 2,4	500 19,7	622 24,5	4 FLM 6X12 E3	39,0	20
E3	RA 60.600 E3	60 2,4	600 23,6	722 28,4	4 FLM 6X12 E3	46,0	20

↑ Height 60 mm ↓
↑ Material 2% ↓
↑ Thickness

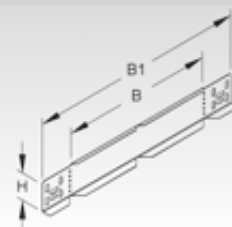


can be used as blind end or as reducer for cable trays

Adjustable Horizontal Splice/Reducer/Blind End

Model no.		Height H	Width B	Width B1	Acc. incl.	Weight per 100 pcs/pc. kg	Pack/Box Qty
		mm Inch	mm Inch	mm Inch			
S	RAW 60.100	60 2,4	100 3,9	222 8,7	4 FLM 6X12	13,00	20
S	RAW 60.300	60 2,4	300 11,8	422 16,6	4 FLM 6X12	25,76	20
F	RAW 60.100 F	60 2,4	100 3,9	222 8,7	4 FLM 6X12 F	14,80	1
F	RAW 60.300 F	60 2,4	300 11,8	422 16,6	4 FLM 6X12 F	26,00	1
E3	RAW 60.100 E3	60 2,4	100 3,9	222 8,7	4 FLM 6X12 E3	13,00	20
E3	RAW 60.300 E3	60 2,4	300 11,8	422 16,6	4 FLM 6X12 E3	26,00	20

↑ Height 60 mm ↓
↑ Material 2% ↓
↑ Thickness

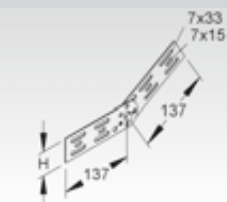


can be used as blind end or as reducer for cable trays

Adjustable Vertical Splice Plate

Model no.		Height H	Acc. incl.	Weight per 100 pcs/pc. kg	Pack/Box Qty
		mm Inch			
S	RGV 60	47 1,9	4 FLM 6X12	19,23	50
F	RGV 60 F	47 1,9	4 FLM 6X12 F	20,58	50
E3	RGV 60 E3	47 1,9	4 FLM 6X12 E3	14,38	20

↑ Height 60 mm ↓
↑ Material 2% ↓
↑ Thickness



2 pieces required per joint

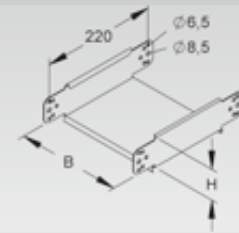
CABLE TRAY SYSTEM

Splice/Link Kit

Model no.	Height H		Width B		Acc. incl.	Weight per 100 pcs./pc. kg	Pack/Box Qty
	mm	Inch	mm	Inch			
S RGE 60.100	60	2,4	100	3,9	2 SKM 8X16 V	52,51	1
S RGE 60.150	60	2,4	150	5,9	2 SKM 8X16 V	57,65	1
S RGE 60.200	60	2,4	200	7,9	2 SKM 8X16 V	62,79	1
S RGE 60.300	60	2,4	300	11,8	2 SKM 8X16 V	73,07	1
S RGE 60.400	60	2,4	400	15,7	2 SKM 8X16 V	83,35	1
S RGE 60.500	60	2,4	500	19,7	2 SKM 8X16 V	93,63	1
S RGE 60.600	60	2,4	600	23,6	2 SKM 8X16 V	103,91	1
F RGE 60.100 F	60	2,4	100	3,9	2 SKM 8X16 F	57,42	1
F RGE 60.150 F	60	2,4	150	5,9	2 SKM 8X16 F	63,07	1
F RGE 60.200 F	60	2,4	200	7,9	2 SKM 8X16 F	68,73	1
F RGE 60.300 F	60	2,4	300	11,8	2 SKM 8X16 F	80,03	1
F RGE 60.400 F	60	2,4	400	15,7	2 SKM 8X16 F	91,34	1
F RGE 60.500 F	60	2,4	500	19,7	2 SKM 8X16 F	102,65	1
F RGE 60.600 F	60	2,4	600	23,6	2 SKM 8X16 F	113,96	1

for linking sections of tray with a vertical displacement
With rounded edges to protect cables.

Height 60 mm
Load capacity 2%
Material Galvalume

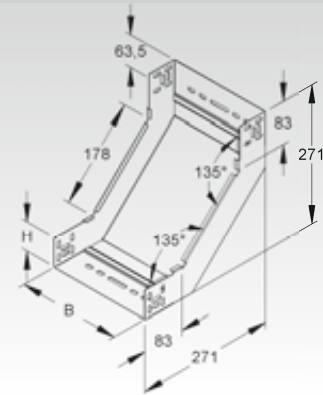


Vertical Inside Elbow 90°

with integrated splice

Model no.	Height H		Inside dimension B		Acc. incl.	Weight per 100 pcs./pc. kg	Pack/Box Qty
	mm	Inch	mm	Inch			
S RSD 60.100	60	2,4	102	4	4 FLM 6X12	78,00	1
S RSD 60.150	60	2,4	152	6	4 FLM 6X12	95,19	1
S RSD 60.200	60	2,4	202	8	5 FLM 6X12	113,30	1
S RSD 60.300	60	2,4	302	11,9	5 FLM 6X12	147,68	1
S RSD 60.400	60	2,4	402	15,8	6 FLM 6X12	182,98	1
S RSD 60.500	60	2,4	502	19,8	6 FLM 6X12	217,36	1
S RSD 60.600	60	2,4	602	23,7	6 FLM 6X12	251,74	1
F RSD 60.100 F	60	2,4	102	4	4 FLM 6X12 F	85,98	1
F RSD 60.200 F	60	2,4	202	8	5 FLM 6X12 F	124,86	1
F RSD 60.300 F	60	2,4	302	11,9	5 FLM 6X12 F	162,68	1
F RSD 60.400 F	60	2,4	402	15,8	6 FLM 6X12 F	201,55	1
F RSD 60.500 F	60	2,4	502	19,8	6 FLM 6X12 F	239,37	1
F RSD 60.600 F	60	2,4	602	23,7	6 FLM 6X12 F	277,19	1

Height 60 mm
Load capacity 2%
Material Galvalume

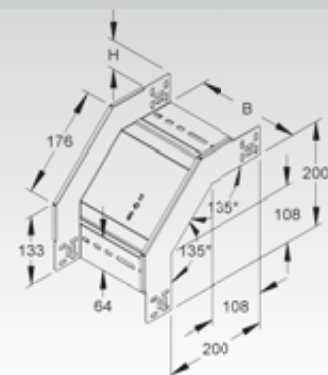


Vertical Outside Elbow 90°

with integrated splice

Model no.	Height H		Inside dimension B		Acc. incl.	Weight per 100 pcs./pc. kg	Pack/Box Qty
	mm	Inch	mm	Inch			
S RFD 60.100	60	2,4	102	4	4 FLM 6X12	71,70	1
S RFD 60.150	60	2,4	152	6	4 FLM 6X12	85,48	1
S RFD 60.200	60	2,4	202	8	5 FLM 6X12	99,22	1
S RFD 60.300	60	2,4	302	11,9	5 FLM 6X12	125,95	1
S RFD 60.400	60	2,4	402	15,8	6 FLM 6X12	153,47	1
S RFD 60.500	60	2,4	502	19,8	6 FLM 6X12	180,19	1
S RFD 60.600	60	2,4	602	23,7	6 FLM 6X12	206,91	1
F RFD 60.100 F	60	2,4	102	4	4 FLM 6X12 F	78,95	1
F RFD 60.200 F	60	2,4	202	8	5 FLM 6X12 F	109,24	1
F RFD 60.300 F	60	2,4	302	11,9	5 FLM 6X12 F	138,65	1
F RFD 60.400 F	60	2,4	402	15,8	6 FLM 6X12 F	168,94	1
F RFD 60.500 F	60	2,4	502	19,8	6 FLM 6X12 F	198,33	1
F RFD 60.600 F	60	2,4	602	23,7	6 FLM 6X12 F	227,72	1

Height 60 mm
Load capacity 2%
Material Galvalume



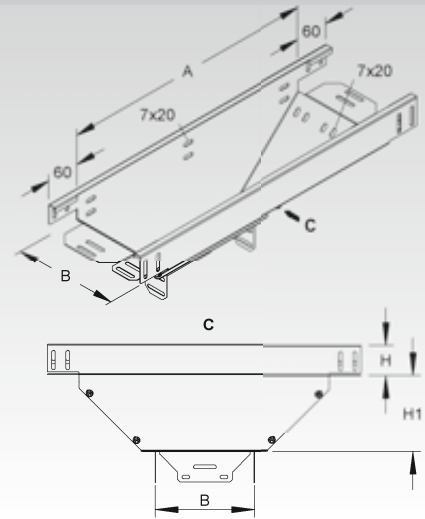
Vertical Tee Down, lengthwise

with integrated splice

Model no.	Height H	Inside dimension B	Length A	Height H1	Acc. incl.	Weight per 100 pcs/pc. kg	Pack/Box Qty
S RTL 60.100	60 2,4	102 4	360 14,2	131	16 FLM 6X12	152,49	1
S RTL 60.150	60 2,4	152 6	410 16,1	131	16 FLM 6X12	186,97	1
S RTL 60.200	60 2,4	202 8	500 19,7	153	19 FLM 6X12	263,28	1
S RTL 60.300	60 2,4	302 11,9	780 30,7	244	21 FLM 6X12	519,06	1
S RTL 60.400	60 2,4	402 15,8	880 34,6	243	24 FLM 6X12	664,44	1
S RTL 60.500	60 2,4	502 19,8	980 38,6	243	24 FLM 6X12	818,83	1
S RTL 60.600	60 2,4	602 23,7	1080 42,5	243	24 FLM 6X12	988,21	1

Size of run and tap tray is identical.

Delivered as a kit (not assembled).

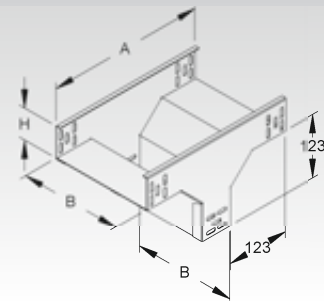


Vertical Tee Down, crosswise

with integrated splice

Model no.	Height H	Inside dimension B	Length A	Acc. incl.	Weight per 100 pcs/pc. kg	Pack/Box Qty
S RTQ 60.100	60 2,4	102 4	311 12,2	8 FLM 6X12	100,75	1
S RTQ 60.150	60 2,4	152 6	311 12,2	8 FLM 6X12	118,03	1
S RTQ 60.200	60 2,4	202 8	311 12,2	10 FLM 6X12	136,91	1
S RTQ 60.300	60 2,4	302 11,9	311 12,2	12 FLM 6X12	173,07	1
S RTQ 60.400	60 2,4	402 15,8	311 12,2	12 FLM 6X12	207,63	1
S RTQ 60.500	60 2,4	502 19,8	311 12,2	12 FLM 6X12	242,19	1
S RTQ 60.600	60 2,4	602 23,7	311 12,2	12 FLM 6X12	276,75	1

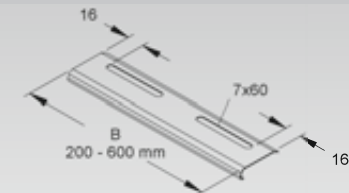
Size of run and tap tray is identical.



Edge Protection Plate

Model no.	Width B	Acc. incl.	Weight per 100 pcs kg	Pack/Box Qty
S RKB 100	92 3,6	1 FLM 6X12	4,40	10
S RKB 150	142 5,6	2 FLM 6X12	7,15	10
S RKB 200	192 7,6	2 FLM 6X12	9,13	10
S RKB 300	292 11,5	2 FLM 6X12	13,27	10
S RKB 400	392 15,4	2 FLM 6X12	17,40	10
S RKB 500	492 19,4	2 FLM 6X12	21,53	10
S RKB 600	592 23,3	2 FLM 6X12	25,67	10
F RKB 100 F	92 3,6	1 FLM 6X12 F	4,89	50
F RKB 150 F	142 5,6	2 FLM 6X12 F	7,96	50
F RKB 200 F	192 7,6	2 FLM 6X12 F	10,13	50
F RKB 300 F	292 11,5	2 FLM 6X12 F	14,69	50
F RKB 400 F	392 15,4	2 FLM 6X12 F	19,23	50
F RKB 500 F	492 19,4	2 FLM 6X12 F	23,77	50
F RKB 600 F	592 23,3	2 FLM 6X12 F	28,33	50

with rounded edges to protect cables at the joint and to reinforce the bottom of cable trays



CABLE TRAY SYSTEM

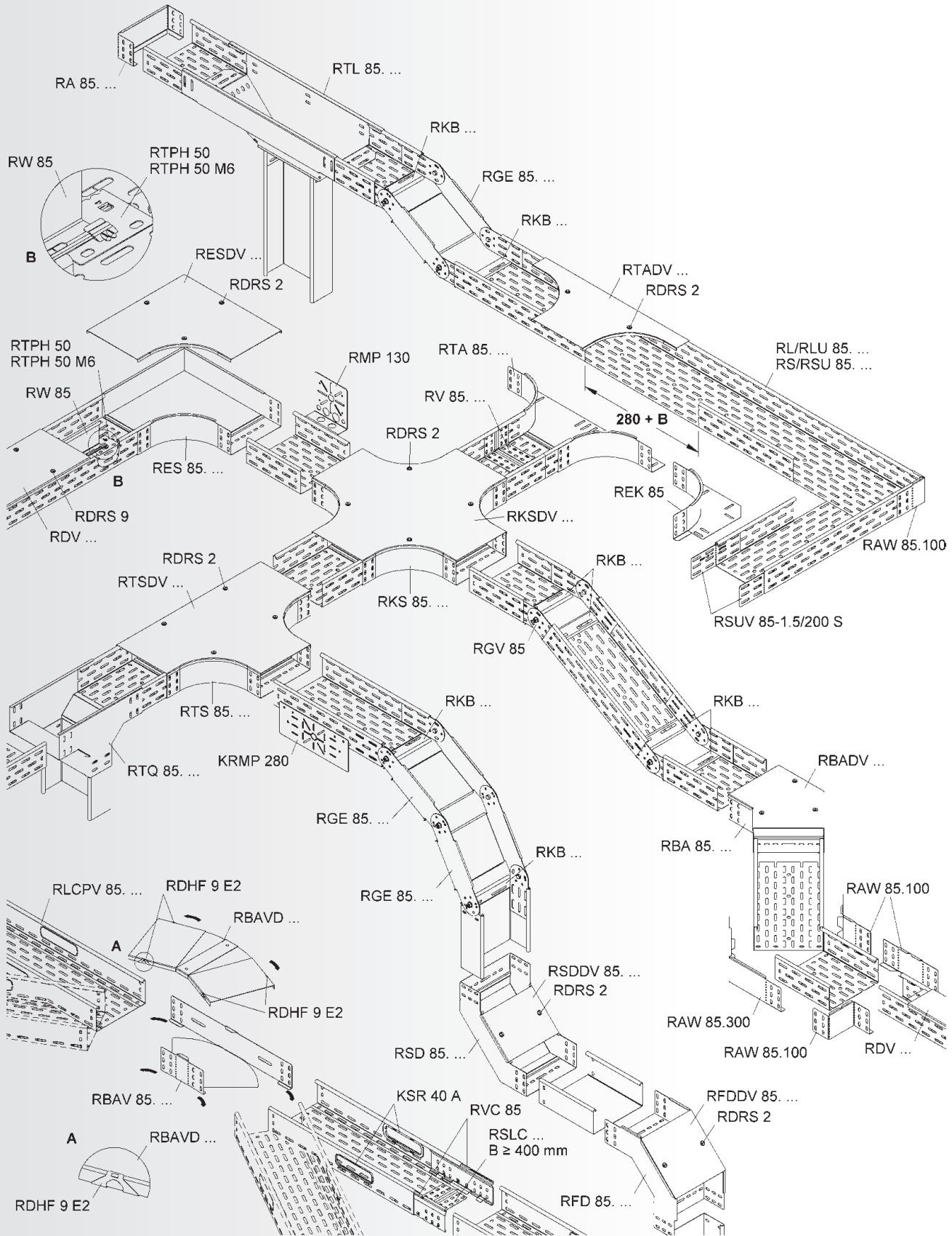
Available Side Rail Heights



SYSTEM			
	Cable Tray	RL...	Page 217
	Cable Tray	RLU...	Page 217
	Distribution Cable Tray	RLCPV...	Page 218
	Heavy Duty Cable Tray	RS...	Page 219
	Heavy Duty Cable Tray	RSU...	Page 220
ACCESSORIES	Boltless Splice Plate	RVC 85	Page 218
	Bottom Connection Plate	RSLC...	Page 219
	Edge Protection Ring	KSR 40 A	Page 219
	★ Universal Splice Plate	RSUV 85-1.5/200 S	Page 220
	U-shaped Splice Plate	RV...	Page 220
	Divider	RW 85...	Page 220
	Splice Plate for Divider	RTV 85 E2	Page 221
	Mounting Plate for Divider	RTPH 50	Page 221
	Mounting Plate for Divider with M6 Stud	RTPH 50 M6	Page 221
	Extension Horizontal Tee	RTA...	Page 222
	Horizontal Elbow Building Block	REK...	Page 222
	Flexible Horizontal Elbow 0-90°	RBAV...	Page 222
	Horizontal Elbow 45°	RBA...	Page 222
	Horizontal Elbow 90°	RES...	Page 223
	Horizontal Tee	RTS...	Page 223
	Horizontal Cross	RKS...	Page 223
	Reducer/Blind End	RA...	Page 224
	Adjustable Horizontal Splice/Reducer/Blind End	RAW...	Page 224
	Adjustable Vertical Splice Plate	RGV...	Page 224
	Splice/Link Kit	RGE...	Page 224
	Vertical Inside Elbow 90°	RSD...	Page 225
	Vertical Outside Elbow 90°	RFD...	Page 225
	Vertical Tee Down, lengthwise	RTL...	Page 225
	Vertical Tee Down, crosswise	RTQ...	Page 226
	Edge Protection Plate	RKB...	Page 226

See covers for cable trays and fittings on page 242 and following.





 **Load/Span Class Designation in accordance with NEMA VE 1 and CSA E22.2 No. 126.1**

Niedax Series	Minimum Area		Load class in accordance to NEMA VE 1		
	(calculational) mm ² / in. ²	in accordance to NEMA VE 2 mm ² / in. ²	Rated Load Kg/m / lb./ft.	Support spacing m / ft.	Load/Span Class
RLX 85.100, ... F	201.6 / 0.31	129 / 0.2	93 / 62.5	2 / 6.6	5A, A
RLX 85.200, ... F	296.0 / 0.46	258 / 0.4	93 / 62.5	2 / 6.6	5A, A
RLX 85.300, ... F	368.0 / 0.57	258 / 0.4	93 / 62.5	2 / 6.6	5A, A
RLX 85.400, ... F	440.0 / 0.68	258 / 0.4	93 / 62.5	2 / 6.6	5A, A
RLX 85.500, ... F	512.0 / 0.79	452 / 0.7	93 / 62.5	2 / 6.6	5A, A
RLX 85.600, ... F	584.0 / 0.91	452 / 0.7	93 / 62.5	2 / 6.6	5A, A
RLUX 85.100, ... F	264,6 / 0.41	258 / 0.4	93 / 62.5	2 / 6.6	5A, A
RLUX 85.200, ... F	394.0 / 0.61	258 / 0.4	93 / 62.5	2 / 6.6	5A, A
RLUX 85.300, ... F	494.0 / 0.77	452 / 0.7	93 / 62.5	2 / 6.6	5A, A
RLUX 85.400, ... F	594.0 / 0.92	452 / 0.7	93 / 62.5	2 / 6.6	5A, A
RLUX 85.500, ... F	694.0 / 1.08	645 / 1.0	93 / 62.5	2 / 6.6	5A, A
RLUX 85.600, ... F	794.0 / 1.23	645 / 1.0	93 / 62.5	2 / 6.6	5A, A
RLCPVX 85.100 OV	186.0 / 0.29	129 / 0.2	116 / 78.4	2.4 / 8	8B, C
RLCPVX 85.200 OV	272.0 / 0.42	258 / 0.4	116 / 78.4	2.4 / 8	8B, C
RLCPVX 85.300 OV	358.0 / 0.55	258 / 0.4	116 / 78.4	2.4 / 8	8B, C
RLCPVX 85.400 OV	444.0 / 0.69	258 / 0.4	116 / 78.4	2.4 / 8	8B, C
RLCPVX 85.500 OV	530.0 / 0.82	452 / 0.7	116 / 78.4	2.4 / 8	8B, C
RLCPVX 85.600 OV	616.0 / 0.95	452 / 0.7	116 / 78.4	2.4 / 8	8B, C
RSX 85.100, ... F	331.5 / 0.51	258 / 0.4	266.5 / 179	2 / 6.6	5A, A
RSX 85.200, ... F	439.5 / 0.68	258 / 0.4	266.5 / 179	2 / 6.6	5A, A
RSX 85.300, ... F	547.5 / 0.85	452 / 0.7	266.5 / 179	2 / 6.6	5A, A
RSX 85.400, ... F	655.5 / 1.02	645 / 1.0	266.5 / 179	2 / 6.6	5A, A
RSX 85.500, ... F	763.5 / 1.18	645 / 1.0	266.5 / 179	2 / 6.6	5A, A
RSX 85.600, ... F	871.5 / 1.35	645 / 1.0	266.5 / 179	2 / 6.6	5A, A
RSUX 85.100, ... F	436.5 / 0.68	258 / 0.4	266.5 / 179	2 / 6.6	5A, A
RSUX 85.200, ... F	586.5 / 0.91	452 / 0.7	266.5 / 179	2 / 6.6	5A, A
RSUX 85.300, ... F	736.5 / 1.14	645 / 1.0	266.5 / 179	2 / 6.6	5A, A
RSUX 85.400, ... F	886.5 / 1.37	645 / 1.0	266.5 / 179	2 / 6.6	5A, A
RSUX 85.500, ... F	1036.5 / 1.61	968 / 1.5	266.5 / 179	2 / 6.6	5A, A
RSUX 85.600, ... F	1186.5 / 1.84	968 / 1.5	266.5 / 179	2 / 6.6	5A, A



Cable Tray

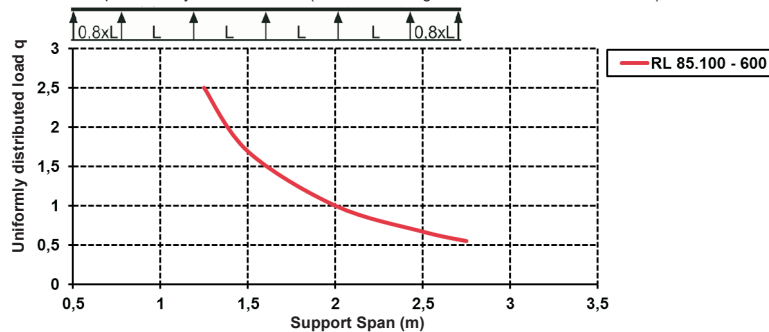
ventilated

	Model no.	Height H		Width B		Thick-ness t	Acc. incl.	Weight per 100 m kg	Pack/Box Qty
		mm	Inch	mm	Inch				
S	RL 85.100	85	3,3	100	3,9	0,9	8 FLM 6X12	185,56	2 x 3 m
S	RL 85.200	85	3,3	200	7,9	1,0	10 FLM 6X12	272,98	2 x 3 m
S	RL 85.300	85	3,3	300	11,8	1,0	10 FLM 6X12	340,52	2 x 3 m
S	RL 85.400	85	3,3	400	15,7	1,0	12 FLM 6X12	407,71	2 x 3 m
S	RL 85.500	85	3,3	500	19,7	1,0	12 FLM 6X12	474,00	2 x 3 m
S	RL 85.600	85	3,3	600	23,6	1,0	12 FLM 6X12	542,00	2 x 3 m
F	RL 85.100 F	85	3,3	100	3,9	0,9	8 FLM 6X12 F	204,59	2 x 3 m
F	RL 85.200 F	85	3,3	200	7,9	1,0	10 FLM 6X12 F	300,87	2 x 3 m
F	RL 85.300 F	85	3,3	300	11,8	1,0	10 FLM 6X12 F	375,16	2 x 3 m
F	RL 85.400 F	85	3,3	400	15,7	1,0	12 FLM 6X12 F	405,00	2 x 3 m
F	RL 85.500 F	85	3,3	500	19,7	1,0	12 FLM 6X12 F	474,00	2 x 3 m
F	RL 85.600 F	85	3,3	600	23,6	1,0	12 FLM 6X12 F	542,00	2 x 3 m

Centered punchholes allow hanging with M10 (3/8") threaded rod.
Bottom plate and side rail perforated with staggered punch holes. Extra 7/16" punch holes (11 mm) for center hanging with threaded rod.

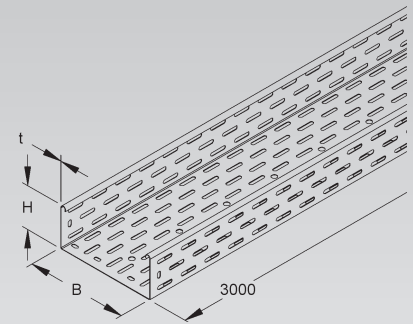
One RV... splice plate included with every piece of cable tray.

Load Chart: q = uniformly distributed load (tested according to DIN EN IEC 61537 standard)



▲ Height
85 mm
▼

Nominal
3 3/8 inches



Cable Tray

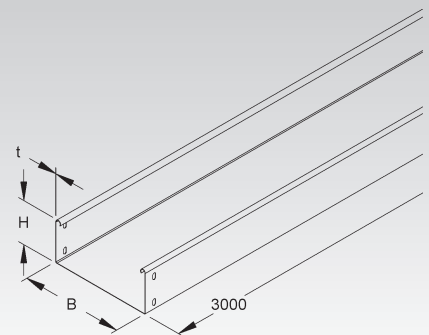
solid, but with splice plate perforation

	Model no.	Height H		Width B		Thick-ness t	Acc. incl.	Weight per 100 m kg	Pack/Box Qty
		mm	Inch	mm	Inch				
S	RLU 85.100	85	3,3	100	3,9	0,9	8 FLM 6X12	214,51	2 x 3 m
S	RLU 85.200	85	3,3	200	7,9	1,0	10 FLM 6X12	319,05	2 x 3 m
S	RLU 85.300	85	3,3	300	11,8	1,0	10 FLM 6X12	399,56	2 x 3 m
S	RLU 85.400	85	3,3	400	15,7	1,0	12 FLM 6X12	480,60	2 x 3 m
S	RLU 85.500	85	3,3	500	19,7	1,0	12 FLM 6X12	561,15	2 x 3 m
S	RLU 85.600	85	3,3	600	23,6	1,0	12 FLM 6X12	641,70	2 x 3 m
F	RLU 85.100 F	85	3,3	100	3,9	0,9	8 FLM 6X12 F	236,87	2 x 3 m
F	RLU 85.200 F	85	3,3	200	7,9	1,0	10 FLM 6X12 F	350,99	2 x 3 m
F	RLU 85.300 F	85	3,3	300	11,8	1,0	10 FLM 6X12 F	439,58	2 x 3 m
F	RLU 85.400 F	85	3,3	400	15,7	1,0	12 FLM 6X12 F	528,71	2 x 3 m
F	RLU 85.500 F	85	3,3	500	19,7	1,0	12 FLM 6X12 F	617,31	2 x 3 m
F	RLU 85.600 F	85	3,3	600	23,6	1,0	12 FLM 6X12 F	705,92	2 x 3 m

One RV... splice plate included with every piece of cable tray.

▲ Height
85 mm
▼

Nominal
3 3/8 inches



CABLE TRAY SYSTEM

Distribution Cable Tray

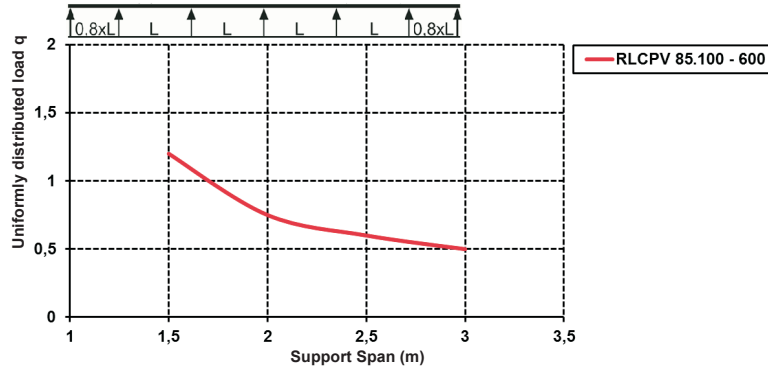
ventilated

	Model no.	Height H		Width B		Thick-ness t	Weight per 100 m kg	Pack/Box Qty
		mm	Inch	mm	Inch			
S	RLCPV 85.100 OV	85	3,3	100	3,9	1	210,65	2 x 3 m
S	RLCPV 85.200 OV	85	3,3	200	7,9	1	276,15	2 x 3 m
S	RLCPV 85.300 OV	85	3,3	300	11,8	1	341,65	2 x 3 m
S	RLCPV 85.400 OV	85	3,3	400	15,7	1	407,15	2 x 3 m
S	RLCPV 85.500 OV	85	3,3	500	19,7	1	472,65	2 x 3 m
S	RLCPV 85.600 OV	85	3,3	600	23,6	1	538,15	2 x 3 m

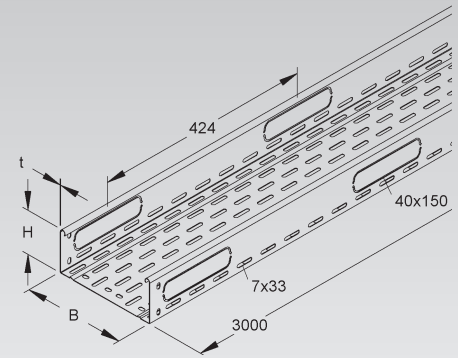
With pre-cut cable drop outs, size 40 mm x 150 mm.

Please order two RVC 85 splice plates for every piece of tray.

Load Chart: q = uniformly distributed load (tested according to DIN EN IEC 61537 standard)



▲ Height 85 mm
▼ Nominal 3 3/8 inches
59



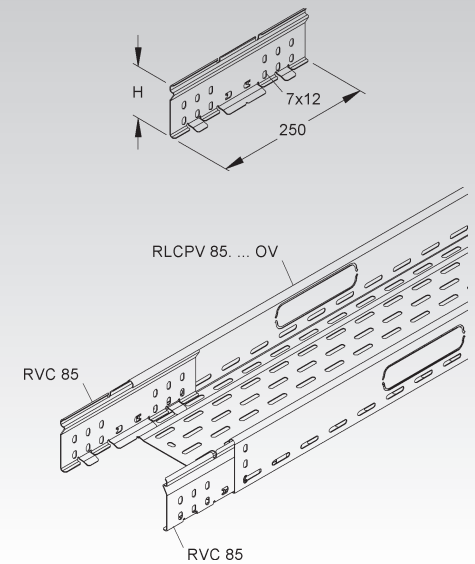
Boltless Splice Plate

	Model no.	Height H		Weight per 100 pcs kg	Pack/Box Qty
		mm	Inch		
S	RVC 85	85	3,3	23,54	50

2 pieces required per joint

Suitable for: cable tray RLCPV 85... OV

▲ Height 85 mm
▼ Nominal 3 3/8 inches

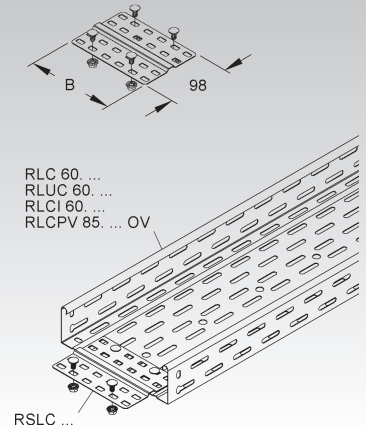


Bottom Connection Plate

	Model no.	Width B		Acc. incl.	Weight per 100 pc. kg	Pack/Box Qty
		mm	Inch			
S	RSLC 400	339	13,3	4 FLM 6X12	26,73	10
S	RSLC 500	439	17,3	4 FLM 6X12	33,67	10
S	RSLC 600	539	21,2	4 FLM 6X12	40,61	10

for stabilizing the bottom plate of cable trays

Suitable for: cable trays RLCI 60... und RLCPV 85... OV



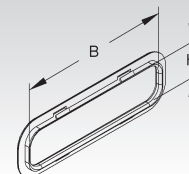
Edge Protection Ring

UV resistant

	Model no.	Color	Inside height H		Inside dimension B		Weight per 100 pcs kg	Pack/Box Qty
			mm	Inch	mm	Inch		
K04	KSR 40 A	black	34,5	1,4	144,5	5,7	0,97	20

to protect cables at the knockouts

Suitable for: distribution cable trays RLCPV 85... OV and RSV 110...



Heavy Duty Cable Tray

ventilated

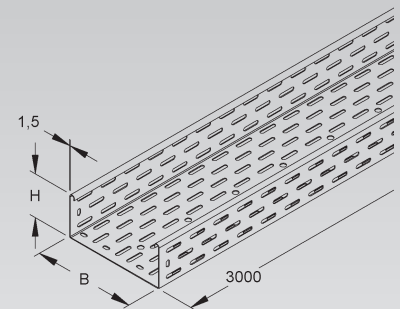
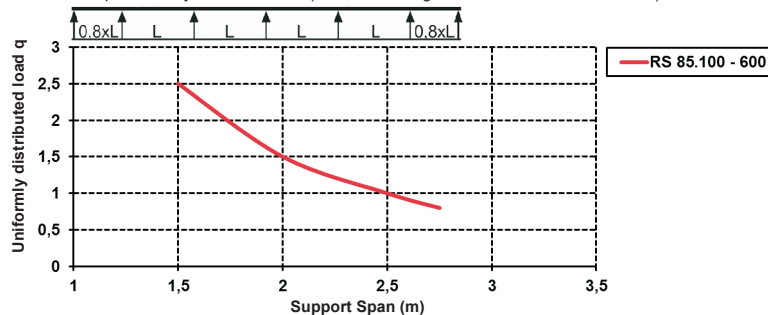
	Model no.	Height H		Width B		Thickness t	Acc. incl.	Weight per 100 m kg	Pack/Box Qty
		mm	Inch	mm	Inch				
S	RS 85.100	85	3,3	100	3,9	1,5	8 FLM 6X12	299,79	2 x 3 m
S	RS 85.200	85	3,3	200	7,9	1,5	10 FLM 6X12	400,60	2 x 3 m
S	RS 85.300	85	3,3	300	11,8	1,5	10 FLM 6X12	500,89	2 x 3 m
S	RS 85.400	85	3,3	400	15,7	1,5	12 FLM 6X12	601,70	2 x 3 m
S	RS 85.500	85	3,3	500	19,7	1,5	12 FLM 6X12	701,99	2 x 3 m
S	RS 85.600	85	3,3	600	23,6	1,5	12 FLM 6X12	802,27	2 x 3 m
F	RS 85.100 F	85	3,3	100	3,9	1,5	8 FLM 6X12 F	310,00	2 x 3 m
F	RS 85.200 F	85	3,3	200	7,9	1,5	10 FLM 6X12 F	414,00	2 x 3 m
F	RS 85.300 F	85	3,3	300	11,8	1,5	10 FLM 6X12 F	480,00	2 x 3 m
F	RS 85.400 F	85	3,3	400	15,7	1,5	12 FLM 6X12 F	662,02	2 x 3 m
F	RS 85.500 F	85	3,3	500	19,7	1,5	12 FLM 6X12 F	744,00	2 x 3 m
F	RS 85.600 F	85	3,3	600	23,6	1,5	12 FLM 6X12 F	857,00	2 x 3 m

Centered punchholes allow hanging with M10 (3/8") threaded rod.

Bottom plate and side rail perforated with staggered punch holes. Extra 7/16" punch holes (11 mm) for center hanging with threaded rod.

One RV... splice plate included with every piece of cable tray.

Load Chart: q = uniformly distributed load (tested according to DIN EN IEC 61537 standard)



CABLE TRAY SYSTEM

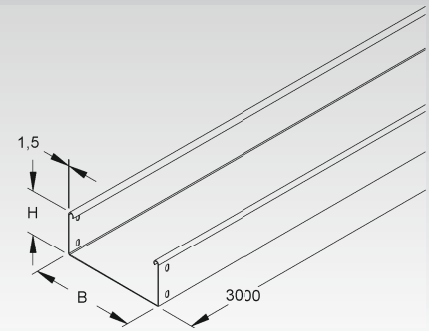
Heavy Duty Cable Tray

solid, but with splice plate perforation

Model no.	Height H		Width B		Thick-ness t	Acc. incl.	Weight per 100 m kg	Pack/Box Qty
	mm	Inch	mm	Inch				
S RSU 85.100	85	3,3	100	3,9	1,5	8 FLM 6X12	349,75	2 x 3 m
S RSU 85.200	85	3,3	200	7,9	1,5	10 FLM 6X12	470,08	2 x 3 m
S RSU 85.300	85	3,3	300	11,8	1,5	10 FLM 6X12	589,82	2 x 3 m
S RSU 85.400	85	3,3	400	15,7	1,5	12 FLM 6X12	710,09	2 x 3 m
S RSU 85.500	85	3,3	500	19,7	1,5	12 FLM 6X12	829,89	2 x 3 m
S RSU 85.600	85	3,3	600	23,6	1,5	12 FLM 6X12	949,69	2 x 3 m
F RSU 85.100 F	85	3,3	100	3,9	1,5	8 FLM 6X12 F	384,74	2 x 3 m
F RSU 85.200 F	85	3,3	200	7,9	1,5	10 FLM 6X12 F	517,12	2 x 3 m
F RSU 85.300 F	85	3,3	300	11,8	1,5	10 FLM 6X12 F	648,87	2 x 3 m
F RSU 85.400 F	85	3,3	400	15,7	1,5	12 FLM 6X12 F	781,14	2 x 3 m
F RSU 85.500 F	85	3,3	500	19,7	1,5	12 FLM 6X12 F	912,92	2 x 3 m
F RSU 85.600 F	85	3,3	600	23,6	1,5	12 FLM 6X12 F	1.044,70	2 x 3 m

One RV... splice plate included with every piece of cable tray.

↑ Height 85 ↓ mm
↑ Standard 3% ↓ Inclination



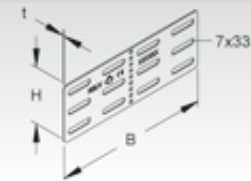
Universal Splice Plate

Model no.	Height H		Width B		Thick-ness t	Acc. incl.	Weight per 100 kg	Pack/Box Qty
	mm	Inch	mm	Inch				
S RSUV 85-1.5/200 S	73	2,9	200	7,9	1,5	4 FLM 6X12	13,85	50

for straight and angled joints

2 pieces required per joint

↑ Height 85 ↓ mm
↑ Standard 3% ↓ Inclination

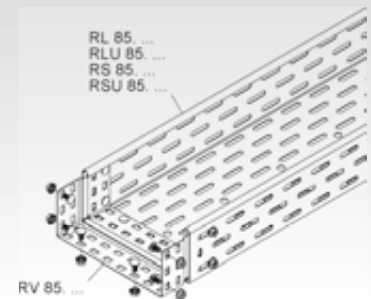
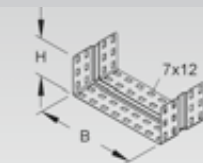


U-shaped Splice Plate

Model no.	Height H		Width B		Acc. incl.	Weight per 100 pcs kg	Pack/Box Qty
	mm	Inch	mm	Inch			
S RV 85.100	74	2,9	97	3,8	8 FLM 6X12	20,71	1
S RV 85.200	74	2,9	197	7,8	10 FLM 6X12	28,44	1
S RV 85.300	74	2,9	297	11,7	10 FLM 6X12	34,58	1
S RV 85.400	74	2,9	397	15,6	12 FLM 6X12	42,31	1
S RV 85.500	74	2,9	497	19,6	12 FLM 6X12	48,45	1
S RV 85.600	74	2,9	597	23,5	12 FLM 6X12	54,59	1
F RV 85.100 F	74	2,9	97	3,8	8 FLM 6X12 F	22,14	1
F RV 85.200 F	74	2,9	197	7,8	10 FLM 6X12 F	30,48	1
F RV 85.300 F	74	2,9	297	11,7	10 FLM 6X12 F	37,24	1
F RV 85.400 F	74	2,9	397	15,6	12 FLM 6X12 F	45,58	1
F RV 85.500 F	74	2,9	497	19,6	12 FLM 6X12 F	52,34	1
F RV 85.600 F	74	2,9	597	23,5	12 FLM 6X12 F	59,09	1

Suitable for: cable trays RL..., RLU..., RS... and RSU...

↑ Height 85 ↓ mm
↑ Standard 3% ↓ Inclination

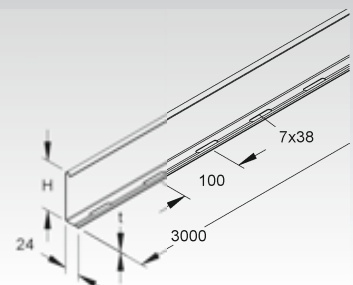


Divider

Model no.	Height H		Thick-ness t	Acc. incl.	Weight per 100 m kg	Pack/Box Qty
	mm	Inch				
S RW 85	80	3,1	0,9	4 FLM 6X12	78,39	10 x 3 m
F RW 85 F	80	3,1	0,9	4 FLM 6X12 F	86,12	10 x 3 m

to separate wires and cables of different voltage levels or with different functions

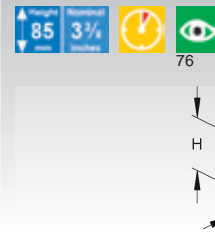
↑ Height 85 ↓ mm
↑ Standard 3% ↓ Inclination



Splice Plate for Divider

Model no.	Height H	Length L	Weight per 100 pcs kg	Pack/ Box Qty
	mm Inch	mm Inch		
E2 RTV 85 E2	79,5 3,1	80 3,1	2,03	20

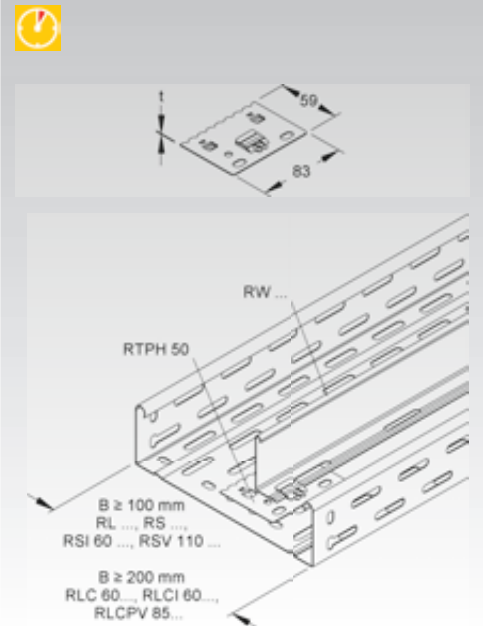
for positive locking connections and proper bonding of dividers



Mounting Plate for Divider

Model no.	Length L	Width B	Thick- ness t	Weight per 100 pcs kg	Pack/ Box Qty
	mm Inch	mm Inch	mm		
S RTPH 50	83 3,3	59 2,3	0,9	3,36	20

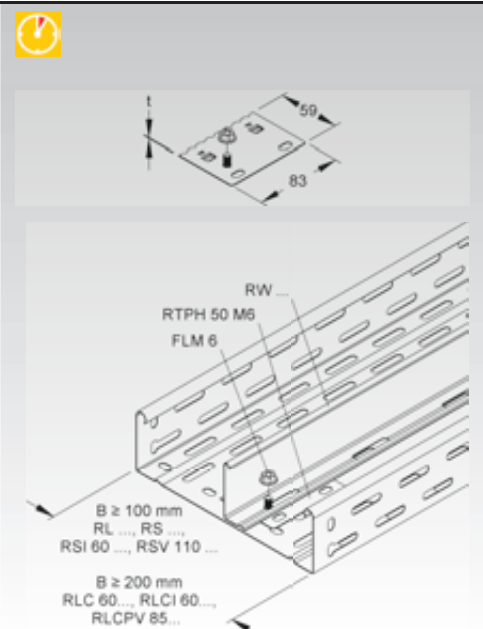
Mounting plate with locking mechanism for fast installation of dividers in ventilated cable tray series RL.../RS... series (min. width 100 mm) and ventilated cable trays series RLCI 60... / RLCPV 85... (min. width 200 mm).



Mounting Plate for Divider with M6 Stud

Model no.	Length L	Width B	Thick- ness t	Acc. incl.	Weight per 100 pcs kg	Pack/ Box Qty
	mm Inch	mm Inch	mm			
S RTPH 50 M6	83 3,3	59 2,3	0,9	1 SMF6	3,98	50

Mounting plate with locking mechanism for fast installation of dividers in ventilated cable tray series RL.../RS... series (min. width 100 mm) and ventilated cable trays series RLCI 60... / RLCPV 85... (min. width 200 mm). With M6 locking stud.

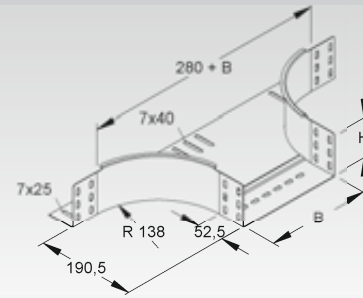
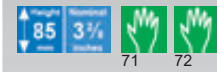


CABLE TRAY SYSTEM

Extension Horizontal Tee

with integrated splice

	Model no.	Height H		Inside dimension B		Acc. incl.	Weight per 100 pcs kg	Pack/Box Qty
		mm	Inch	mm	Inch			
S	RTA 85.100	85	3,3	102	4	10 FLM 6X12	94,6	1
S	RTA 85.200	85	3,3	202	8	10 FLM 6X12	111,5	1
S	RTA 85.300	85	3,3	302	11,9	10 FLM 6X12	128,4	1
S	RTA 85.400	85	3,3	402	15,8	10 FLM 6X12	145,6	1
S	RTA 85.500	85	3,3	502	19,8	10 FLM 6X12	162,1	1
S	RTA 85.600	85	3,3	602	23,7	10 FLM 6X12	179,0	1
F	RTA 85.100 F	85	3,3	102	4	10 FLM 6X12 F	103,3	1
F	RTA 85.200 F	85	3,3	202	8	10 FLM 6X12 F	121,9	1
F	RTA 85.300 F	85	3,3	302	11,9	10 FLM 6X12 F	140,4	1
F	RTA 85.400 F	85	3,3	402	15,8	10 FLM 6X12 F	159,4	1
F	RTA 85.500 F	85	3,3	502	19,8	10 FLM 6X12 F	177,5	1
F	RTA 85.600 F	85	3,3	602	23,7	10 FLM 6X12 F	196,1	1

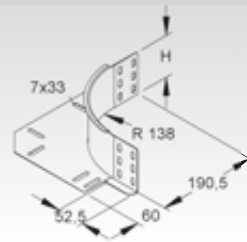
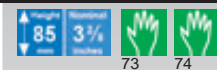


Horizontal Elbow Building Block

with integrated splice

	Model no.	Height H		Acc. incl.	Weight per 100 pcs kg	Pack/Box Qty
		mm	Inch			
S	REK 85	85	3,3	6 FLM 6X12	46,07	1
F	REK 85 F	85	3,3	6 FLM 6X12 F	44,10	1

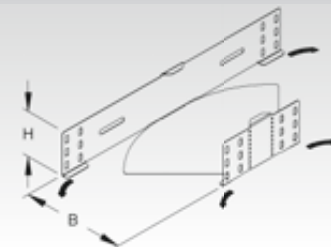
for building customized horizontal cable tray fittings



Flexible Horizontal Elbow 0-90°

with integrated splice

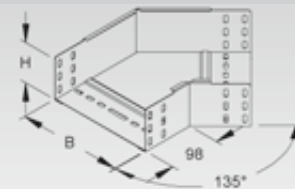
	Model no.	Height H		Inside dimension B		Acc. incl.	Weight per 100 pcs kg	Pack/Box Qty
		mm	Inch	mm	Inch			
S	RBAV 85.100	85	3,3	100	3,9	10 FLM 6X12	54,48	1
S	RBAV 85.200	85	3,3	200	7,9	10 FLM 6X12	86,81	1
S	RBAV 85.300	85	3,3	300	11,8	10 FLM 6X12	131,92	1
S	RBAV 85.400	85	3,3	400	15,7	10 FLM 6X12	186,69	1
S	RBAV 85.500	85	3,3	500	19,7	14 FLM 6X12	260,28	1
S	RBAV 85.600	85	3,3	600	23,6	14 FLM 6X12	341,84	1



Horizontal Elbow 45°

with integrated splice

	Model no.	Height H		Inside dimension B		Acc. incl.	Weight per 100 pcs kg	Pack/Box Qty
		mm	Inch	mm	Inch			
S	RBA 85.100	85	3,3	102	4	4 FLM 6X12	54,70	1
S	RBA 85.200	85	3,3	202	8	5 FLM 6X12	86,70	1
S	RBA 85.300	85	3,3	302	11,9	5 FLM 6X12	125,20	1
S	RBA 85.400	85	3,3	402	15,8	6 FLM 6X12	170,40	1
S	RBA 85.500	85	3,3	502	19,8	6 FLM 6X12	221,80	1
S	RBA 85.600	85	3,3	602	23,7	6 FLM 6X12	280,00	1
F	RBA 85.100 F	85	3,3	102	4	4 FLM 6X12 F	58,80	1
F	RBA 85.200 F	85	3,3	202	8	5 FLM 6X12 F	93,20	1
F	RBA 85.300 F	85	3,3	302	11,9	5 FLM 6X12 F	134,60	1
F	RBA 85.400 F	85	3,3	402	15,8	6 FLM 6X12 F	191,75	1
F	RBA 85.500 F	85	3,3	502	19,8	6 FLM 6X12 F	238,50	1
F	RBA 85.600 F	85	3,3	602	23,7	6 FLM 6X12 F	301,00	1

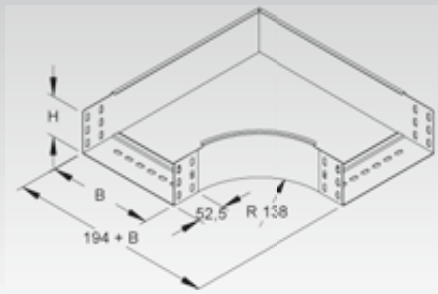


Horizontal Elbow 90°

with integrated splice

	Model no.	Height H		Inside dimension B		Acc. incl.	Weight per 100 pcs kg	Pack/Box Qty
		mm	Inch	mm	Inch			
S	RES 85.100	85	3,3	102	4	4 FLM 6X12	110,50	1
S	RES 85.200	85	3,3	202	8	5 FLM 6X12	185,00	1
S	RES 85.300	85	3,3	302	11,9	5 FLM 6X12	271,10	1
S	RES 85.400	85	3,3	402	15,8	6 FLM 6X12	372,40	1
S	RES 85.500	85	3,3	502	19,8	6 FLM 6X12	489,90	1
S	RES 85.600	85	3,3	602	23,7	6 FLM 6X12	623,10	1
F	RES 85.100 F	85	3,3	102	4	4 FLM 6X12 F	125,16	1
F	RES 85.200 F	85	3,3	202	8	5 FLM 6X12 F	198,90	1
F	RES 85.300 F	85	3,3	302	11,9	5 FLM 6X12 F	291,40	1
F	RES 85.400 F	85	3,3	402	15,8	6 FLM 6X12 F	400,40	1
F	RES 85.500 F	85	3,3	502	19,8	6 FLM 6X12 F	526,60	1
F	RES 85.600 F	85	3,3	602	23,7	6 FLM 6X12 F	669,80	1

Height 85 mm
Standard 3 1/2 inch

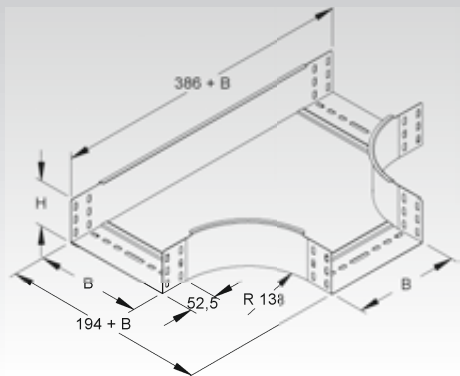


Horizontal Tee

with integrated splice

	Model no.	Height H		Inside dimension B		Acc. incl.	Weight per 100 pcs kg	Pack/Box Qty
		mm	Inch	mm	Inch			
S	RTS 85.100	85	3,3	102	4	8 FLM 6X12	143,90	1
S	RTS 85.200	85	3,3	202	8	10 FLM 6X12	226,50	1
S	RTS 85.300	85	3,3	302	11,9	10 FLM 6X12	318,90	1
S	RTS 85.400	85	3,3	402	15,8	12 FLM 6X12	427,00	1
S	RTS 85.500	85	3,3	502	19,8	12 FLM 6X12	550,80	1
S	RTS 85.600	85	3,3	602	23,7	12 FLM 6X12	690,30	1
F	RTS 85.100 F	85	3,3	102	4	8 FLM 6X12 F	166,69	1
F	RTS 85.200 F	85	3,3	202	8	10 FLM 6X12 F	243,40	1
F	RTS 85.300 F	85	3,3	302	11,9	10 FLM 6X12 F	342,80	1
F	RTS 85.400 F	85	3,3	402	15,8	12 FLM 6X12 F	459,00	1
F	RTS 85.500 F	85	3,3	502	19,8	12 FLM 6X12 F	592,10	1
F	RTS 85.600 F	85	3,3	602	23,7	12 FLM 6X12 F	742,10	1

Height 85 mm
Standard 3 1/2 inch

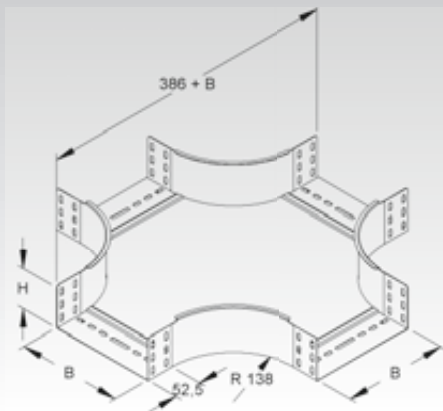


Horizontal Cross

with integrated splice

	Model no.	Height H		Inside dimension B		Acc. incl.	Weight per 100 pcs kg	Pack/Box Qty
		mm	Inch	mm	Inch			
S	RKS 85.100	85	3,3	102	4	12 FLM 6X12	182,9	1
S	RKS 85.200	85	3,3	202	8	15 FLM 6X12	266,0	1
S	RKS 85.300	85	3,3	302	11,9	15 FLM 6X12	364,8	1
S	RKS 85.400	85	3,3	402	15,8	18 FLM 6X12	479,2	1
S	RKS 85.500	85	3,3	502	19,8	18 FLM 6X12	609,4	1
S	RKS 85.600	85	3,3	602	23,7	18 FLM 6X12	755,3	1
F	RKS 85.100 F	85	3,3	102	4	12 FLM 6X12 F	196,6	1
F	RKS 85.200 F	85	3,3	202	8	15 FLM 6X12 F	285,9	1
F	RKS 85.300 F	85	3,3	302	11,9	15 FLM 6X12 F	392,1	1
F	RKS 85.400 F	85	3,3	402	15,8	18 FLM 6X12 F	515,2	1
F	RKS 85.500 F	85	3,3	502	19,8	18 FLM 6X12 F	655,1	1
F	RKS 85.600 F	85	3,3	602	23,7	18 FLM 6X12 F	811,9	1

Height 85 mm
Standard 3 1/2 inch



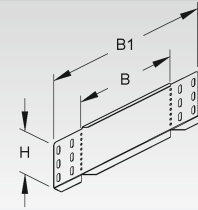
CABLE TRAY SYSTEM

Reducer/Blind End

	Model no.	Height H		Width B		Width B1		Acc. incl.	Weight per 100 pcs kg	Pack/Box Qty
		mm	Inch	mm	Inch	mm	Inch			
S	RA 85.200	85	3,3	200	7,9	322	12,7	4 FLM 6X12	28,17	20
S	RA 85.400	85	3,3	400	15,7	522	20,6	4 FLM 6X12	45,24	20
S	RA 85.500	85	3,3	500	19,7	622	24,5	4 FLM 6X12	54,17	20
S	RA 85.600	85	3,3	600	23,6	722	28,4	4 FLM 6X12	62,30	20
F	RA 85.200 F	85	3,3	200	7,9	322	12,7	4 FLM 6X12 F	31,17	1
F	RA 85.400 F	85	3,3	400	15,7	522	20,6	4 FLM 6X12 F	50,38	1
F	RA 85.500 F	85	3,3	500	19,7	622	24,5	4 FLM 6X12 F	59,33	1
F	RA 85.600 F	85	3,3	600	23,6	722	28,4	4 FLM 6X12 F	68,71	1

can be used as blind end or as reducer for cable tray

↑ Height 85 ↓ mm
↑ Reduced 3% ↓ thickness

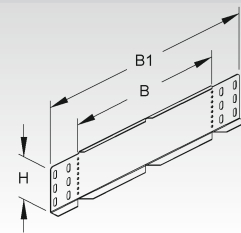


Adjustable Horizontal Splice/Reducer/Blind End

	Model no.	Height H		Width B		Width B1		Acc. incl.	Weight per 100 pcs kg	Pack/Box Qty
		mm	Inch	mm	Inch	mm	Inch			
S	RAW 85.100	85	3,3	100	3,9	222	8,7	4 FLM 6X12	27,97	20
S	RAW 85.300	85	3,3	300	11,8	422	16,6	4 FLM 6X12	36,21	20
F	RAW 85.100 F	85	3,3	100	3,9	222	8,7	4 FLM 6X12 F	30,95	1
F	RAW 85.300 F	85	3,3	300	11,8	422	16,6	4 FLM 6X12 F	40,01	1

can be used as blind end or as reducer for cable tray

↑ Height 85 ↓ mm
↑ Reduced 3% ↓ thickness

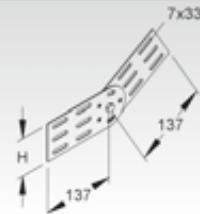


Adjustable Vertical Splice Plate

	Model no.	Height H		Acc. incl.	Weight per 100 pcs kg	Pack/Box Qty
		mm	Inch			
S	RGV 85	73	2,9	4 FLM 6x12	29,63	25
F	RGV 85 F	73	2,9	4 FLM 6x12 F	32,02	25

2 pieces required per joint

↑ Height 85 ↓ mm
↑ Reduced 3% ↓ thickness

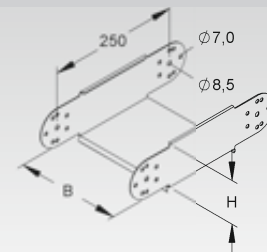


Splice/Link Kit

	Model no.	Height H		Width B		Acc. incl.	Weight per 100 pcs kg	Pack/Box Qty
		mm	Inch	mm	Inch			
S	RGE 85.100	85	3,3	100	3,9	2 SKM 8X16 V	78,59	1
S	RGE 85.200	85	3,3	200	7,9	2 SKM 8X16 V	88,87	1
S	RGE 85.300	85	3,3	300	11,8	2 SKM 8X16 V	99,15	1
S	RGE 85.400	85	3,3	400	15,7	2 SKM 8X16 V	109,43	1
S	RGE 85.500	85	3,3	500	19,7	2 SKM 8X16 V	119,71	1
S	RGE 85.600	85	3,3	600	23,6	2 SKM 8X16 V	129,99	1
F	RGE 85.100 F	85	3,3	100	3,9	2 SKM 8X16 F	86,11	1
F	RGE 85.200 F	85	3,3	200	7,9	2 SKM 8X16 F	97,41	1
F	RGE 85.300 F	85	3,3	300	11,8	2 SKM 8X16 F	108,72	1
F	RGE 85.400 F	85	3,3	400	15,7	2 SKM 8X16 F	120,03	1
F	RGE 85.500 F	85	3,3	500	19,7	2 SKM 8X16 F	131,34	1
F	RGE 85.600 F	85	3,3	600	23,6	2 SKM 8X16 F	142,65	1

for linking sections of tray with a vertical displacement

↑ Height 85 ↓ mm
↑ Reduced 3% ↓ thickness

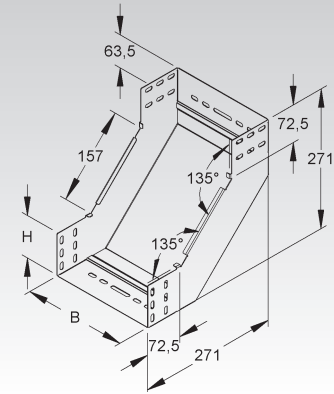


Vertical Inside Elbow 90°

with integrated splice

	Model no.	Height H		Inside dimension B		Acc. incl.	Weight per 100 pcs kg	Pack/Box Qty
		mm	Inch	mm	Inch			
S	RSD 85.100	85	3,3	102	4	4 FLM 6X12	90,07	1
S	RSD 85.200	85	3,3	202	8	5 FLM 6X12	125,37	1
S	RSD 85.300	85	3,3	302	11,9	5 FLM 6X12	159,75	1
S	RSD 85.400	85	3,3	402	15,8	6 FLM 6X12	195,05	1
S	RSD 85.500	85	3,3	502	19,8	6 FLM 6X12	229,43	1
S	RSD 85.600	85	3,3	602	23,7	6 FLM 6X12	263,81	1

Height 85 mm
Nominal 3 3/8 inches

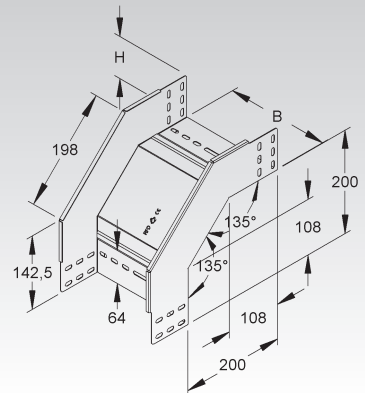


Vertical Outside Elbow 90°

with integrated splice

	Model no.	Height H		Inside dimension B		Acc. incl.	Weight per 100 pcs kg	Pack/Box Qty
		mm	Inch	mm	Inch			
S	RFD 85.100	85	3,3	102	4	4 FLM 6X12	88,63	1
S	RFD 85.200	85	3,3	202	8	5 FLM 6X12	116,15	1
S	RFD 85.300	85	3,3	302	11,9	5 FLM 6X12	142,87	1
S	RFD 85.400	85	3,3	402	15,8	6 FLM 6X12	170,40	1
S	RFD 85.500	85	3,3	502	19,8	6 FLM 6X12	197,12	1
S	RFD 85.600	85	3,3	602	23,7	6 FLM 6X12	223,84	1

Height 85 mm
Nominal 3 3/8 inches

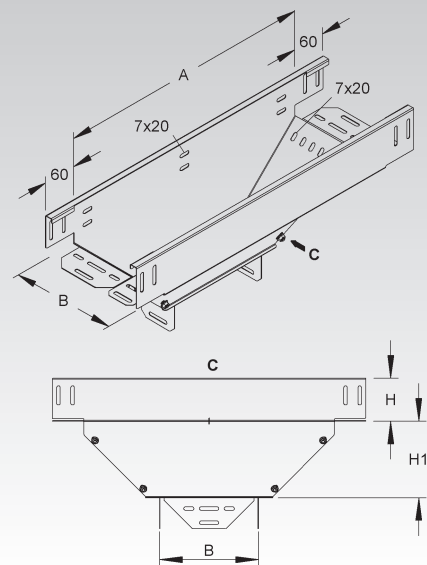


Vertical Tee Down, lengthwise

with integrated splice

	Model no.	Height H		Inside dimension B		Length A		Height H1	Acc. incl.	Weight per 100 pcs kg	Pack/Box Qty
		mm	Inch	mm	Inch	mm	Inch				
S	RTL 85.100	85	3,3	102	4	360	14,2	121	16 FLM 6X12	146,06	1
S	RTL 85.200	85	3,3	202	8	500	19,7	153	19 FLM 6X12	271,97	1
S	RTL 85.300	85	3,3	302	11,9	780	30,7	244	21 FLM 6X12	537,68	1
S	RTL 85.400	85	3,3	402	15,8	880	34,6	244	24 FLM 6X12	681,09	1
S	RTL 85.500	85	3,3	502	19,8	980	38,6	244	24 FLM 6X12	834,97	1
S	RTL 85.600	85	3,3	602	23,7	1080	42,5	244	24 FLM 6X12	1.010,70	1

Height 85 mm
Nominal 3 3/8 inches



Size of run and tap tray is identical.

Delivered as a kit (not assembled).

CABLE TRAY SYSTEM

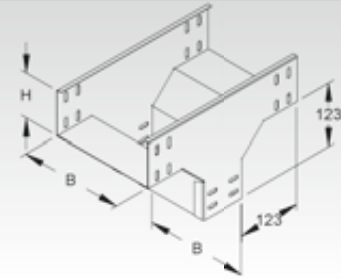
Vertical Tee Down, crosswise

with integrated splice

Model no.	Height H	Inside dimension B	Length A	Acc. incl.	Weight per 100 pcs kg	Pack/ Box Qty
S RTQ 85.100	85 3,3	102 4	336 13,2	8 FLM 6X12	122,19	1
S RTQ 85.200	85 3,3	202 8	336 13,2	10 FLM 6X12	158,35	1
S RTQ 85.300	85 3,3	302 11,9	336 13,2	10 FLM 6X12	192,91	1
S RTQ 85.400	85 3,3	402 15,8	336 13,2	12 FLM 6X12	229,07	1
S RTQ 85.500	85 3,3	502 19,8	336 13,2	12 FLM 6X12	263,63	1
S RTQ 85.600	85 3,3	602 23,7	336 13,2	12 FLM 6X12	298,19	1

Size of run and tap tray is identical.

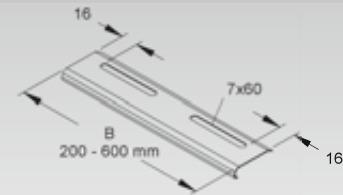
↑ 85
↓ 3 3/8



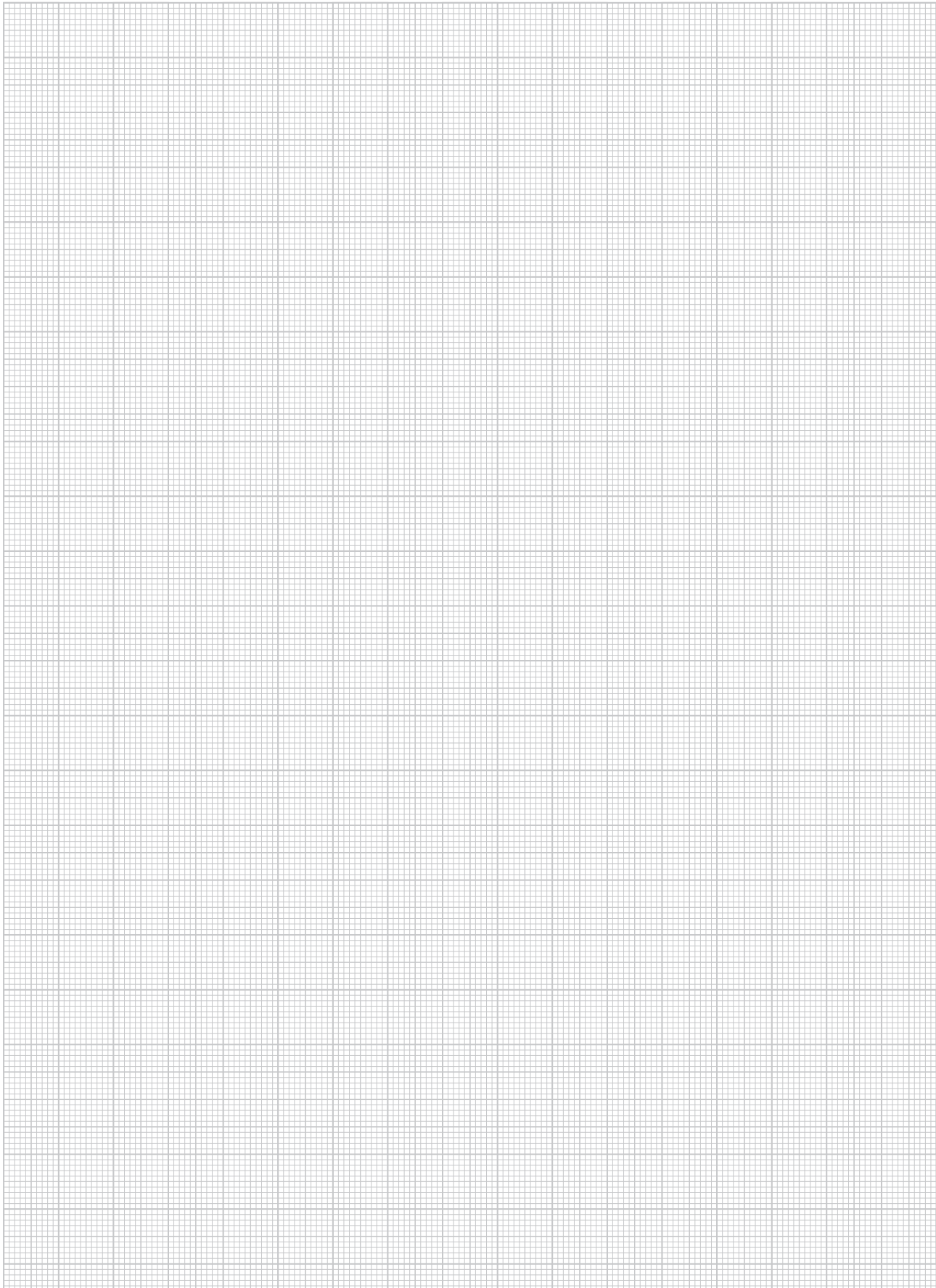
Edge Protection Plate

Model no.	Width B	Acc. incl.	Weight per 100 pcs kg	Pack/ Box Qty
S RKB 100	92 3,6	1 FLM 6X12	4,40	10
S RKB 200	192 7,6	2 FLM 6X12	9,13	10
S RKB 300	292 11,5	2 FLM 6X12	13,27	10
S RKB 400	392 15,4	2 FLM 6X12	17,40	10
S RKB 500	492 19,4	2 FLM 6X12	21,53	10
S RKB 600	592 23,3	2 FLM 6X12	25,67	10
F RKB 100 F	92 3,6	1 FLM 6X12 F	4,89	50
F RKB 200 F	192 7,6	2 FLM 6X12 F	10,13	50
F RKB 300 F	292 11,5	2 FLM 6X12 F	14,69	50
F RKB 400 F	392 15,4	2 FLM 6X12 F	19,23	50
F RKB 500 F	492 19,4	2 FLM 6X12 F	23,77	50
F RKB 600 F	592 23,3	2 FLM 6X12 F	28,33	50

with rounded edges to protect cables at the joint and to reinforce the bottom of cable trays



NOTES

A large rectangular area filled with a fine grid of light gray lines, intended for taking notes. The grid consists of approximately 30 columns and 40 rows of small squares.

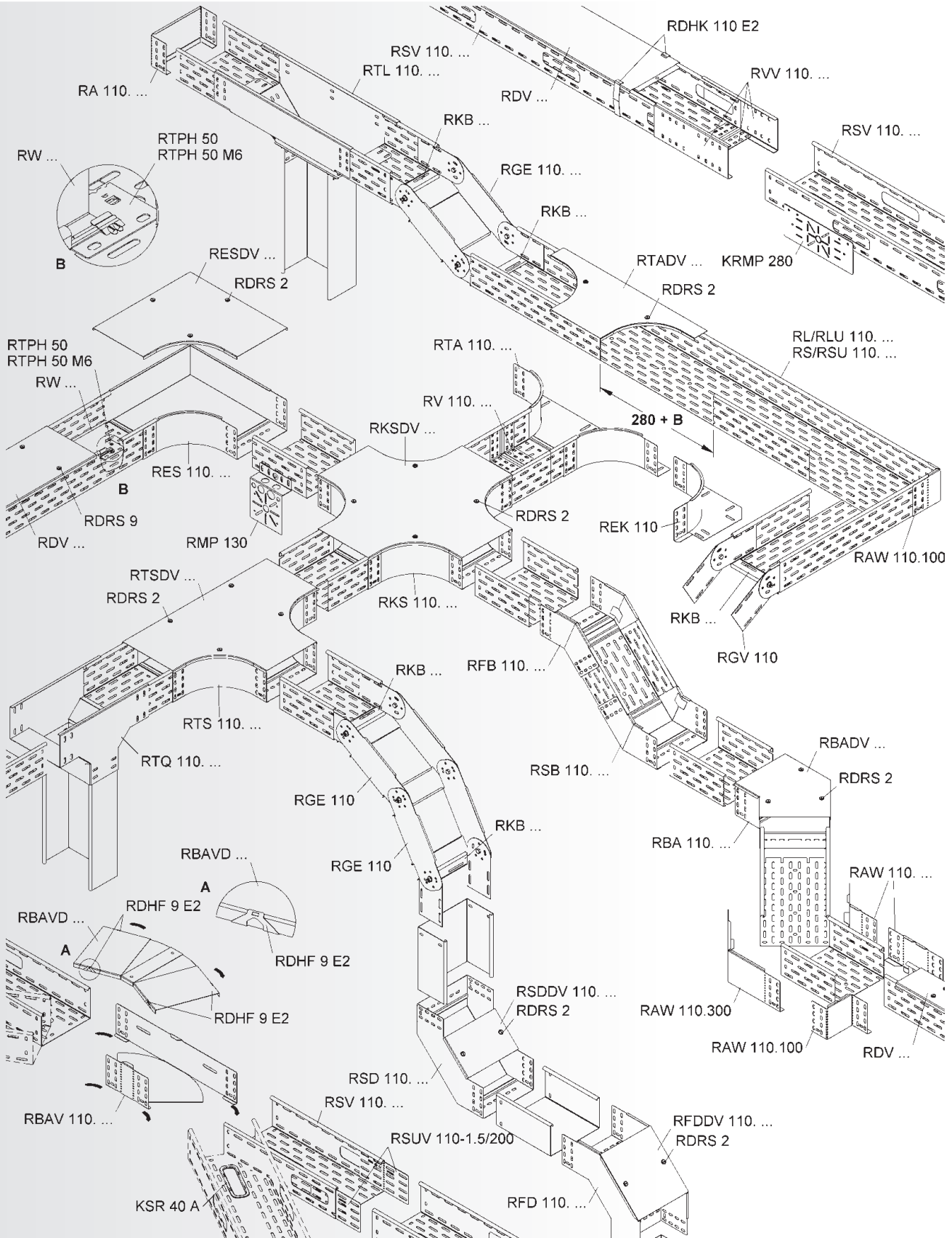
CABLE TRAY SYSTEM

Available Side Rail Heights

SYSTEM			
	Cable Tray	RL...	Page 231
	Cable Tray	RLU...	Page 231
	Heavy Duty Cable Tray	RS...	Page 232
	Heavy Duty Cable Tray	RSU...	Page 232
	Distribution Cable Tray	RSV...	Page 233
ACCESSORIES	Edge Protection Ring	KSR 40 A	Page 233
	U-shaped Splice Plate	RV...	Page 234
	Three Piece Splice Plate Kit	RVV 110...	Page 234
	Splice Plate	RVV 110 E3	Page 234
	★ Universal Splice Plate	RSUV 110-1.5/200 S	Page 235
	Divider	RW 110...	Page 235
	Splice Plate for Divider	RTV 110 E2	Page 235
	Mounting Plate for Divider	RTPH 50	Page 235
	Mounting Plate for Divider with M6 Stud	RTPH 50 M6	Page 236
	Extension Horizontal Tee	RTA...	Page 236
	Horizontal Elbow Building Block	REK...	Page 236
	Flexible Horizontal Elbow 0-90°	RBAV...	Page 237
	Horizontal Elbow 45°	RBA...	Page 237
	Horizontal Elbow 90°	RES...	Page 237
	Horizontal Tee	RTS...	Page 238
	Horizontal Cross	RKS...	Page 238
	Reducer/Blind End	RA...	Page 238
	Adjustable Horizontal Splice/Reducer/Blind End	RAW...	Page 239
	Adjustable Vertical Splice Plate	RGV...	Page 239
	Splice/Link Kit	RGE...	Page 239
	Vertical Inside Elbow 45°	RSB...	Page 239
	Vertical Inside Elbow 90°	RSD...	Page 240
	Vertical Outside Elbow 45°	RFB...	Page 240
	Vertical Outside Elbow 90°	RFD...	Page 240
	Vertical Tee Down, lengthwise	RTL...	Page 241
	Vertical Tee Down, crosswise	RTQ...	Page 241
	Edge Protection Plate	RKB...	Page 241

See covers for cable trays and fittings on page 242 and following.





CABLE TRAY SYSTEM

Load/Span Class Designation in accordance with NEMA VE 1 and CSA E22.2 No. 126.1

Niedax Series	Minimum Area		Load class in accordance to NEMA VE 1		
	(calculational) mm ² / in. ²	in accordance to NEMA VE 2 mm ² / in. ²	Rated Load Kg/m / lb./ft.	Support spacing m / ft.	Load/Span Class
RLX 110.100, ... F	234 / 0.36	129 / 0.2	113 / 76	2 / 6.6	5A, A
RLX 110.200, ... F	332 / 0.51	258 / 0.4	113 / 76	2 / 6.6	5A, A
RLX 110.300, ... F	404 / 0.63	258 / 0.4	113 / 76	2 / 6.6	5A, A
RLX 110.400, ... F	476 / 0.74	452 / 0.7	113 / 76	2 / 6.6	5A, A
RLX 110.500, ... F	548 / 0.85	452 / 0.7	113 / 76	2 / 6.6	5A, A
RLX 110.600, ... F	620 / 0.96	452 / 0.7	113 / 76	2 / 6.6	5A, A
RLX 110.100 E3	208 / 0.32	129 / 0.2	113 / 76	2 / 6.6	5A, A
RLX 110.200 E3	266 / 0.41	258 / 0.4	113 / 76	2 / 6.6	5A, A
RLX 110.300 E3	323 / 0.50	258 / 0.4	113 / 76	2 / 6.6	5A, A
RLX 110.400 E3	428 / 0.66	258 / 0.4	113 / 76	2 / 6.6	5A, A
RLX 110.500 E3	493 / 0.76	452 / 0.7	113 / 76	2 / 6.6	5A, A
RLX 110.600 E3	558 / 0.86	452 / 0.7	113 / 76	2 / 6.6	5A, A
RLUX 110.100, ... F	310 / 0.48	258 / 0.4	113 / 76	2 / 6.6	5A, A
RLUX 110.200, ... F	444 / 0.69	258 / 0.4	113 / 76	2 / 6.6	5A, A
RLUX 110.300, ... F	544 / 0.84	452 / 0.7	113 / 76	2 / 6.6	5A, A
RLUX 110.400, ... F	644 / 1.00	645 / 1.0	113 / 76	2 / 6.6	5A, A
RLUX 110.500, ... F	744 / 1.15	645 / 1.0	113 / 76	2 / 6.6	5A, A
RLUX 110.600, ... F	844 / 1.31	645 / 1.0	113 / 76	2 / 6.6	5A, A
RLUX 110.100 E3	275 / 0.43	258 / 0.4	113 / 76	2 / 6.6	5A, A
RLUX 110.200 E3	355 / 0.55	258 / 0.4	113 / 76	2 / 6.6	5A, A
RLUX 110.300 E3	435 / 0.67	258 / 0.4	113 / 76	2 / 6.6	5A, A
RLUX 110.400 E3	580 / 0.90	452 / 0.7	113 / 76	2 / 6.6	5A, A
RLUX 110.500 E3	670 / 1.04	645 / 1.0	113 / 76	2 / 6.6	5A, A
RLUX 110.600 E3	760 / 1.18	645 / 1.0	113 / 76	2 / 6.6	5A, A
RSX 110.100, ... F	386 / 0.60	258 / 0.4	224 / 151	2 / 6.6	5A, C
RSX 110.200, ... F	494 / 0.77	452 / 0.7	224 / 151	2 / 6.6	5A, C
RSX 110.300, ... F	602 / 0.93	452 / 0.7	224 / 151	2 / 6.6	5A, C
RSX 110.400, ... F	710 / 1.10	645 / 1.0	224 / 151	2 / 6.6	5A, C
RSX 110.500, ... F	818 / 1.27	645 / 1.0	224 / 151	2 / 6.6	5A, C
RSX 110.600, ... F	930 / 1.44	645 / 1.0	224 / 151	2 / 6.6	5A, C
RSUX 110.100, ... F	512 / 0.79	452 / 0.7	224 / 151	2 / 6.6	5A, C
RSUX 110.200, ... F	662 / 1.03	645 / 1.0	224 / 151	2 / 6.6	5A, C
RSUX 110.300, ... F	812 / 1.26	645 / 1.0	224 / 151	2 / 6.6	5A, C
RSUX 110.400, ... F	961 / 1.49	645 / 1.0	224 / 151	2 / 6.6	5A, C
RSUX 110.500, ... F	1112 / 1.72	968 / 1.5	224 / 151	2 / 6.6	5A, C
RSUX 110.600, ... F	1266 / 1.96	968 / 1.5	224 / 151	2 / 6.6	5A, C
RSVX 110.100 S, ... F *	368 / 0.57	258 / 0.4	67 / 45	3 / 9.8	8A, A, 10AA
RSVX 110.150 S, ... F *	383 / 0.59	258 / 0.4	67 / 45	3 / 9.8	8A, A, 10AA
RSVX 110.200 S, ... F *	437 / 0.68	258 / 0.4	67 / 45	3 / 9.8	8A, A, 10AA
RSVX 110.300 S, ... F *	587 / 0.91	452 / 0.7	67 / 45	3 / 9.8	8A, A, 10AA
RSVX 110.400 S, ... F *	758 / 1.17	645 / 1.0	67 / 45	3 / 9.8	8A, A, 10AA

* - tested by UL with the three piece splice plate kit RVVX in the middle of two supports



Cable Tray

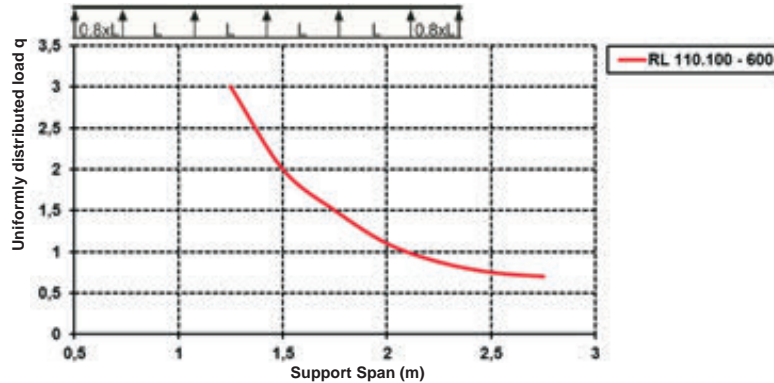
ventilated

	Model no.	Height H		Width B		Thick-ness t mm	Acc. incl.	Weight per 100 m/ kg	Pack/ Box Qty
		mm Inch	mm Inch						
S	RL 110.100	110 4,3	100 3,9	0,9	8 FLM 6X12	216,07	2 x 3 m		
S	RL 110.200	110 4,3	200 7,9	1,0	10 FLM 6X12	306,77	2 x 3 m		
S	RL 110.300	110 4,3	300 11,8	1,0	10 FLM 6X12	374,30	2 x 3 m		
S	RL 110.400	110 4,3	400 15,7	1,0	12 FLM 6X12	442,36	2 x 3 m		
S	RL 110.500	110 4,3	500 19,7	1,0	12 FLM 6X12	509,90	2 x 3 m		
S	RL 110.600	110 4,3	600 23,6	1,0	12 FLM 6X12	577,95	2 x 3 m		
F	RL 110.100 F	110 4,3	100 3,9	0,9	8 FLM 6X12 F	237,72	2 x 3 m		
F	RL 110.200 F	110 4,3	200 7,9	1,0	10 FLM 6X12 F	337,50	2 x 3 m		
F	RL 110.300 F	110 4,3	300 11,8	1,0	10 FLM 6X12 F	411,79	2 x 3 m		
F	RL 110.400 F	110 4,3	400 15,7	1,0	12 FLM 6X12 F	486,68	2 x 3 m		
F	RL 110.500 F	110 4,3	500 19,7	1,0	12 FLM 6X12 F	560,97	2 x 3 m		
F	RL 110.600 F	110 4,3	600 23,6	1,0	12 FLM 6X12 F	637,29	2 x 3 m		
E3	RL 110.100 E3	110 4,3	100 3,9	0,8	8 FLM 6X12 E3	194,84	2 x 3 m		
E3	RL 110.200 E3	110 4,3	200 7,9	0,8	10 FLM 6X12 E3	250,24	2 x 3 m		
E3	RL 110.300 E3	110 4,3	300 11,8	0,8	10 FLM 6X12 E3	305,03	2 x 3 m		
E3	RL 110.400 E3	110 4,3	400 15,7	0,9	12 FLM 6X12 E3	403,05	2 x 3 m		
E3	RL 110.500 E3	110 4,3	500 19,7	0,9	12 FLM 6X12 E3	464,43	2 x 3 m		
E3	RL 110.600 E3	110 4,3	600 23,6	0,9	12 FLM 6X12 E3	525,83	2 x 3 m		

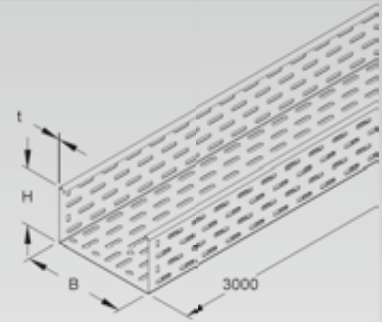
Centered punchholes allow hanging with M10 (3/8") threaded rod.

One RV... splice plate included with every piece of cable tray.

Load Chart: q = uniformly distributed load (tested according to DIN EN IEC 61537 standard)



Height 110 mm
Slope 4% incline

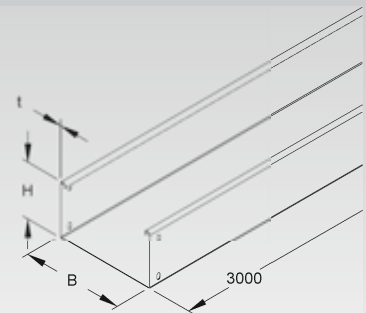


Cable Tray

solid, but with splice plate perforation

	Model no.	Height H		Width B		Thick-ness t mm	Acc. incl.	Weight per 100 m/ kg	Pack/ Box Qty
		mm Inch	mm Inch						
S	RLU 110.100	110 4,3	100 3,9	0,9	8 FLM 6X12	251,65	2 x 3 m		
S	RLU 110.200	110 4,3	200 7,9	1,0	10 FLM 6X12	359,32	2 x 3 m		
S	RLU 110.300	110 4,3	300 11,8	1,0	10 FLM 6X12	439,82	2 x 3 m		
S	RLU 110.400	110 4,3	400 15,7	1,0	12 FLM 6X12	520,85	2 x 3 m		
S	RLU 110.500	110 4,3	500 19,7	1,0	12 FLM 6X12	601,39	2 x 3 m		
S	RLU 110.600	110 4,3	600 23,6	1,0	12 FLM 6X12	683,01	2 x 3 m		
F	RLU 110.100 F	110 4,3	100 3,9	0,9	8 FLM 6X12 F	276,86	2 x 3 m		
F	RLU 110.200 F	110 4,3	200 7,9	1,0	10 FLM 6X12 F	394,70	2 x 3 m		
F	RLU 110.300 F	110 4,3	300 11,8	1,0	10 FLM 6X12 F	483,88	2 x 3 m		
F	RLU 110.400 F	110 4,3	400 15,7	1,0	12 FLM 6X12 F	573,01	2 x 3 m		
F	RLU 110.500 F	110 4,3	500 19,7	1,0	12 FLM 6X12 F	661,62	2 x 3 m		
F	RLU 110.600 F	110 4,3	600 23,6	1,0	12 FLM 6X12 F	751,42	2 x 3 m		
E3	RLU 110.100 E3	110 4,3	100 3,9	0,8	8 FLM 6X12 E3	226,68	2 x 3 m		
E3	RLU 110.200 E3	110 4,3	200 7,9	0,8	10 FLM 6X12 E3	292,55	2 x 3 m		
E3	RLU 110.300 E3	110 4,3	300 11,8	0,8	10 FLM 6X12 E3	357,77	2 x 3 m		
E3	RLU 110.400 E3	110 4,3	400 15,7	0,9	12 FLM 6X12 E3	474,14	2 x 3 m		
E3	RLU 110.500 E3	110 4,3	500 19,7	0,9	12 FLM 6X12 E3	547,30	2 x 3 m		
E3	RLU 110.600 E3	110 4,3	600 23,6	0,9	12 FLM 6X12 E3	620,57	2 x 3 m		

Height 110 mm
Slope 4% incline



One RV... splice plate included with every piece of cable tray.



CABLE TRAY SYSTEM

Heavy Duty Cable Tray

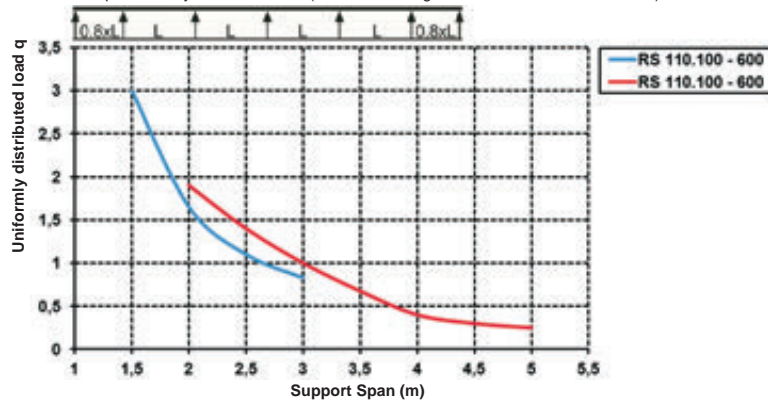
ventilated

	Model no.	Height H		Width B		Thick-ness t	Acc. incl.	Weight per 100 m/ kg	Pack/ Box Qty
		mm Inch	mm Inch	mm	mm				
S	RS 110.100	110 4,3	100 3,9	1,5	8 FLM 6X12	366,73	2 x 3 m		
S	RS 110.200	110 4,3	200 7,9	1,5	10 FLM 6X12	450,00	2 x 3 m		
S	RS 110.300	110 4,3	300 11,8	1,5	10 FLM 6X12	551,43	2 x 3 m		
S	RS 110.400	110 4,3	400 15,7	1,5	12 FLM 6X12	651,87	2 x 3 m		
S	RS 110.500	110 4,3	500 19,7	1,5	12 FLM 6X12	810,00	2 x 3 m		
S	RS 110.600	110 4,3	600 23,6	1,5	12 FLM 6X12	852,89	2 x 3 m		
F	RS 110.100 F	110 4,3	100 3,9	1,5	8 FLM 6X12 F	403,46	2 x 3 m		
F	RS 110.200 F	110 4,3	200 7,9	1,5	10 FLM 6X12 F	520,43	2 x 3 m		
F	RS 110.300 F	110 4,3	300 11,8	1,5	10 FLM 6X12 F	564,00	2 x 3 m		
F	RS 110.400 F	110 4,3	400 15,7	1,5	12 FLM 6X12 F	717,13	2 x 3 m		
F	RS 110.500 F	110 4,3	500 19,7	1,5	12 FLM 6X12 F	810,00	2 x 3 m		
F	RS 110.600 F	110 4,3	600 23,6	1,5	12 FLM 6X12 F	937,75	2 x 3 m		

Centered punchholes allow hanging with M10 (3/8") threaded rod. Bottom plate and side rail perforated with staggered punch holes. Extra 7/16" punch holes (11 mm) for center hanging with threaded rod.

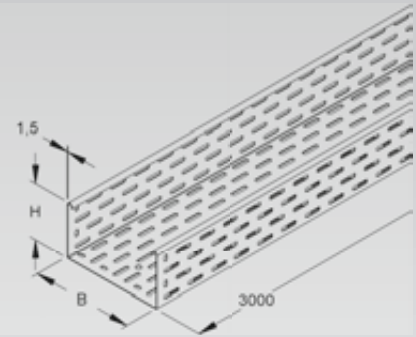
One RV... splice plate included with every piece of cable tray.

Load Chart: q = uniformly distributed load (tested according to DIN EN IEC 61537 standard)



Load rating with heavy duty splice plate RVV... in red.

Load rating with splice plate RV... in blue.

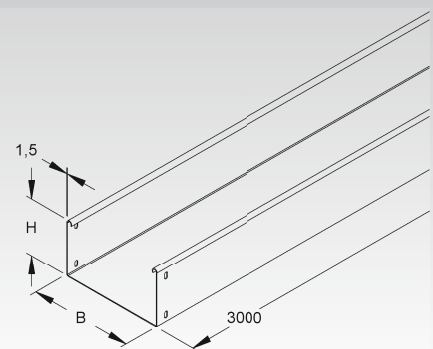


Heavy Duty Cable Tray

solid, but with splice plate perforation

	Model no.	Height H		Width B		Thick-ness t	Acc. incl.	Weight per 100 m/ kg	Pack/ Box Qty
		mm Inch	mm Inch	mm	mm				
S	RSU 110.100	110 4,3	100 3,9	1,5	8 FLM 6X12	409,65	2 x 3 m		
S	RSU 110.200	110 4,3	200 7,9	1,5	10 FLM 6X12	529,99	2 x 3 m		
S	RSU 110.300	110 4,3	300 11,8	1,5	10 FLM 6X12	649,72	2 x 3 m		
S	RSU 110.400	110 4,3	400 15,7	1,5	12 FLM 6X12	769,99	2 x 3 m		
S	RSU 110.500	110 4,3	500 19,7	1,5	12 FLM 6X12	889,79	2 x 3 m		
S	RSU 110.600	110 4,3	600 23,6	1,5	12 FLM 6X12	1.010,04	2 x 3 m		
F	RSU 110.100 F	110 4,3	100 3,9	1,5	8 FLM 6X12 F	450,63	2 x 3 m		
F	RSU 110.200 F	110 4,3	200 7,9	1,5	10 FLM 6X12 F	583,01	2 x 3 m		
F	RSU 110.300 F	110 4,3	300 11,8	1,5	10 FLM 6X12 F	714,76	2 x 3 m		
F	RSU 110.400 F	110 4,3	400 15,7	1,5	12 FLM 6X12 F	847,03	2 x 3 m		
F	RSU 110.500 F	110 4,3	500 19,7	1,5	12 FLM 6X12 F	978,81	2 x 3 m		
F	RSU 110.600 F	110 4,3	600 23,6	1,5	12 FLM 6X12 F	1.111,18	2 x 3 m		

One RV... splice plate included with every piece of cable tray.

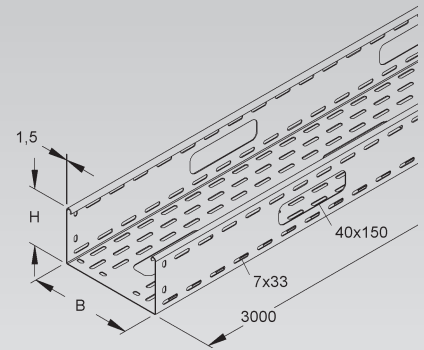


Distribution Cable Tray

ventilated

	Model no.	Height H		Width B		Thick-ness t	Acc. incl.	Weight per 100 m kg	Pack/ Box Qty
		mm	Inch	mm	Inch				
S	RSV 110.100 S	110	4,3	100	3,9	1,5	12 FLM 6X12	333,62	2 x 3 m
S	RSV 110.150 S	110	4,3	150	5,9	1,5	12 FLM 6X12	383,76	2 x 3 m
S	RSV 110.200 S	110	4,3	200	7,9	1,5	12 FLM 6X12	433,91	2 x 3 m
S	RSV 110.300 S	110	4,3	300	11,8	1,5	12 FLM 6X12	537,44	2 x 3 m
S	RSV 110.400 S	110	4,3	400	15,7	1,5	12 FLM 6X12	647,42	2 x 3 m
F	RSV 110.100 F	110	4,3	100	3,9	1,5	12 FLM 6X12 F	366,66	2 x 3 m
F	RSV 110.150 F	110	4,3	150	5,9	1,5	12 FLM 6X12 F	421,82	2 x 3 m
F	RSV 110.200 F	110	4,3	200	7,9	1,5	12 FLM 6X12 F	476,98	2 x 3 m
F	RSV 110.300 F	110	4,3	300	11,8	1,5	12 FLM 6X12 F	590,86	2 x 3 m
F	RSV 110.400 F	110	4,3	400	15,7	1,5	12 FLM 6X12 F	711,84	2 x 3 m

Height 110 mm
Nominal 4 3/8 inches
Eye icon
57

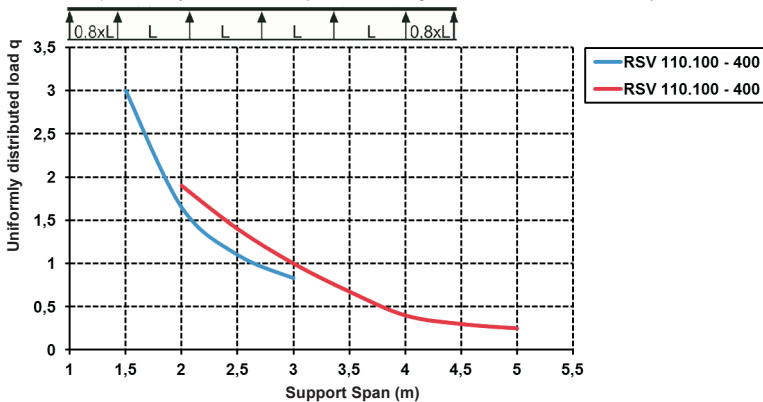


Hole pattern may vary based on width of tray.

Multiple cable drop outs are punched into the bottom part and the flange of tray.

One RV... splice plate included with every piece of cable tray.

Load Chart: q = uniformly distributed load (tested according to DIN EN IEC 61537 standard)



Load rating with heavy duty splice plate RVV... in red.

Load rating with splice plate RV... in blue.

Edge Protection Ring

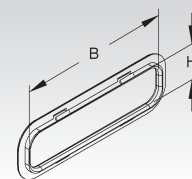
UV resistant

Model no.	Color	Inside height H		Inside dimension B		Weight per 100 pcs kg	Pack/ Box Qty
		mm	Inch	mm	Inch		
K04	black	34,5	1,4	144,5	5,7	0,97	20

to protect cables at the knockouts

Suitable for: distribution cable trays RLCPV 85... OV and RSV 110...

Icons: crossed-out H and L, crossed-out S, and two 'i' icons.
44 45

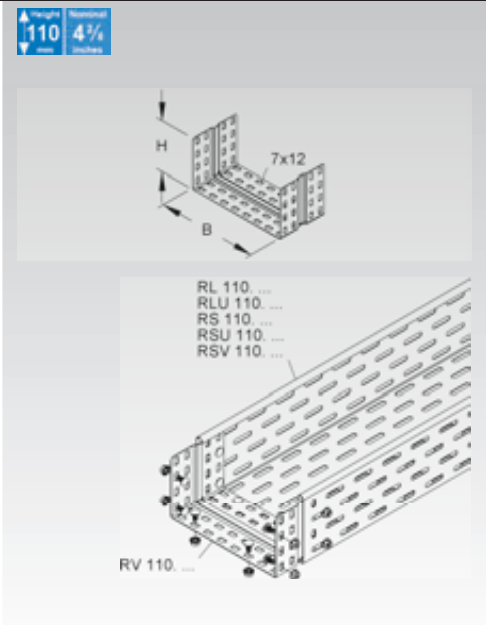


CABLE TRAY SYSTEM

U-shaped Splice Plate

Model no.	Height H		Width B		Acc. incl.	Weight per 100 pcs./pc./ kg	Pack/Box Qty
	mm	Inch	mm	Inch			
S RV 110.100	99	3,9	97	3,8	8 FLM 6X12	23,77	1
S RV 110.150	99	3,9	147	5,8	8 FLM 6X12	26,84	1
S RV 110.200	99	3,9	197	7,8	10 FLM 6X12	31,51	1
S RV 110.300	99	3,9	297	11,7	10 FLM 6X12	37,65	1
S RV 110.400	99	3,9	397	15,6	12 FLM 6X12	45,38	1
S RV 110.500	99	3,9	497	19,6	12 FLM 6X12	51,52	1
S RV 110.600	99	3,9	597	23,5	12 FLM 6X12	62,77	1
F RV 110.100 F	99	3,9	97	3,8	8 FLM 6X12 F	26,31	1
F RV 110.150 F	99	3,9	147	5,8	8 FLM 6X12 F	29,68	1
F RV 110.200 F	99	3,9	197	7,8	10 FLM 6X12 F	34,86	1
F RV 110.300 F	99	3,9	297	11,7	10 FLM 6X12 F	41,62	1
F RV 110.400 F	99	3,9	397	15,6	12 FLM 6X12 F	50,16	1
F RV 110.500 F	99	3,9	497	19,6	12 FLM 6X12 F	56,91	1
F RV 110.600 F	99	3,9	597	23,5	12 FLM 6X12 F	67,26	1
E3 RV 110.100 E3	99	3,9	97	3,8	8 FLM 6X12 E3	24,76	1
E3 RV 110.200 E3	99	3,9	197	7,8	10 FLM 6X12 E3	32,76	1
E3 RV 110.300 E3	99	3,9	297	11,7	10 FLM 6X12 E3	38,94	1
E3 RV 110.400 E3	99	3,9	397	15,6	12 FLM 6X12 E3	46,93	1
E3 RV 110.500 E3	99	3,9	497	19,6	12 FLM 6X12 E3	53,11	1
E3 RV 110.600 E3	99	3,9	597	23,5	12 FLM 6X12 E3	59,52	1

Suitable for: cable trays RL..., RLU..., RS..., RSU... and RSV...

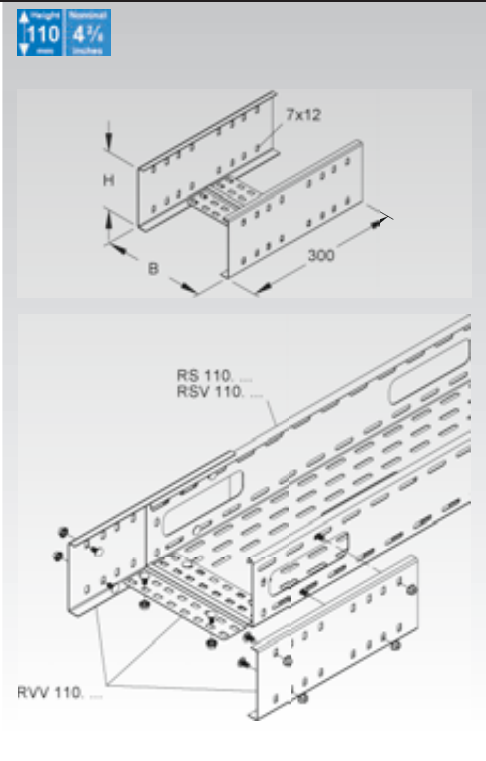


Three Piece Splice Plate Kit

Model no.	Height H		Width B		Acc. incl.	Weight per 100 pcs./pc./ kg	Pack/Box Qty
	mm	Inch	mm	Inch			
S RVV 110.100	111	4,4	100	3,9	12 FLM 6X12	112,36	5
S RVV 110.150	111	4,4	150	5,9	12 FLM 6X12	115,83	5
S RVV 110.200	111	4,4	200	7,9	12 FLM 6X12	119,30	5
S RVV 110.300	111	4,4	300	11,8	12 FLM 6X12	126,24	5
S RVV 110.400	111	4,4	400	15,7	12 FLM 6X12	133,18	5
S RVV 110.500	111	4,4	500	19,7	12 FLM 6X12	140,12	5
S RVV 110.600	111	4,4	600	23,6	12 FLM 6X12	147,06	5
F RVV 110.100 F	111	4,4	100	3,9	12 FLM 6X12 F	124,14	5
F RVV 110.150 F	111	4,4	150	5,9	12 FLM 6X12 F	127,95	5
F RVV 110.200 F	111	4,4	200	7,9	12 FLM 6X12 F	131,77	5
F RVV 110.300 F	111	4,4	300	11,8	12 FLM 6X12 F	139,40	5
F RVV 110.400 F	111	4,4	400	15,7	12 FLM 6X12 F	147,04	5
F RVV 110.500 F	111	4,4	500	19,7	12 FLM 6X12 F	154,67	5
F RVV 110.600 F	111	4,4	600	23,6	12 FLM 6X12 F	162,31	5

heavy duty splice kit to extend support span

Suitable for: extending support span of RS.../RSV 110... tray up to 5 meters

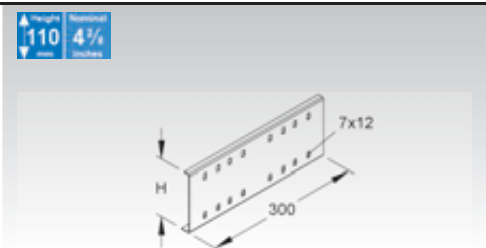


Splice Plate

Model no.	Height H		Acc. incl.	Weight per 100 pcs/kg	Pack/Box Qty
	mm	Inch			
E3 RVV 110 E3	111	4,4	4 FLM 6X12 E3	51,18	10

heavy duty splice kit to extend support span

2 pieces required per joint

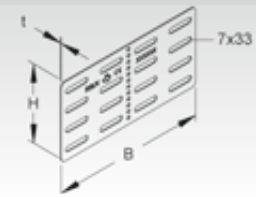


Universal Splice Plate

Model no.	Height H mm Inch	Width B mm Inch	Thick-ness t mm	Acc. incl.	Weight per 100 kg	Pack/ Box Qty
S RSUV 110-1.5/200 S	102 4	200 7,9	1,5	4 FLM 6X12	19,58	50

for straight and angled joints

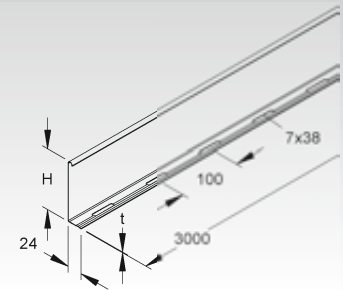
2 pieces required per joint



Divider

Model no.	Height H mm Inch	Thick-ness t mm	Acc. incl.	Weight per 100 m kg	Pack/ Box Qty
S RW 110	98 3,9	0,9	4 FLM 6X12	90,37	10 x 3 m
F RW 110 F	98 3,9	0,9	4 FLM 6X12 F	99,30	10 x 3 m
E3 RW 110 E3	98 3,9	0,9	4 FLM 6X12 E3	88,73	10 x 3 m

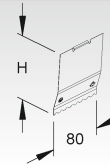
to separate wires and cables of different voltage levels or with different functions



Splice Plate for Divider

Model no.	Height H mm Inch	Length L mm Inch	Weight per 100 pcs kg	Pack/ Box Qty
E2 RTV 110 E2	97,5 3,8	80 3,1	2,5	20

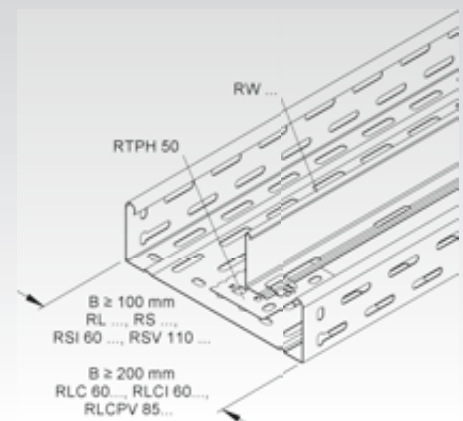
for positive locking connections and proper bonding of dividers



Mounting Plate for Divider

Model no.	Length L mm Inch	Width B mm Inch	Thick-ness t mm	Weight per 100 pcs kg	Pack/ Box Qty
S RTPH 50	83 3,3	59 2,3	0,9	3,36	20

Mounting plate with locking mechanism for fast installation of dividers in ventilated cable tray series RL.../RS... series (min. width 100 mm) and ventilated cable trays series RLCI 60... / RLCPV 85... (min. width 200 mm).

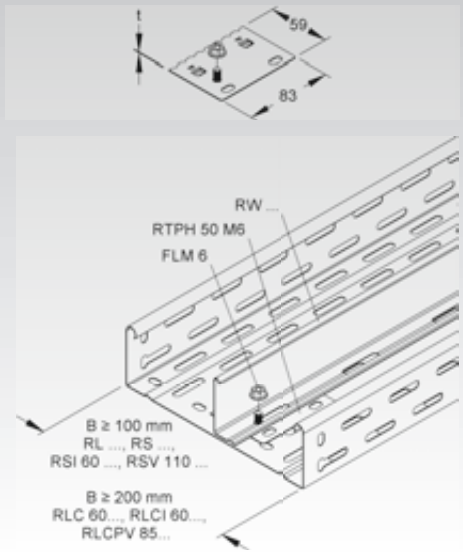


CABLE TRAY SYSTEM

Mounting Plate for Divider with M6 Stud

Model no.	Length L mm Inch	Width B mm Inch	Thick-ness t mm	Acc. incl.	Weight per 100 pcs kg	Pack/Box Qty
S RTPH 50 M6	83 3,3	59 2,3	0,9	1 SMF6	3,98	50

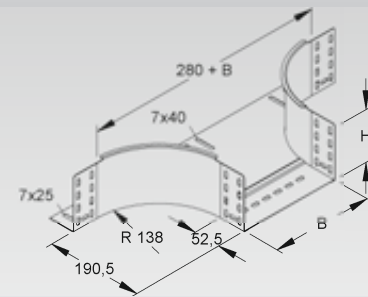
Mounting plate with locking mechanism for fast installation of dividers in ventilated cable tray series RL.../RS... series (min. width 100 mm) and ventilated cable trays series RLCI 60... / RLCPV 85... (min. width 200 mm). With M6 locking stud.



Extension Horizontal Tee

with integrated splice

Model no.	Height H mm Inch	Inside dimension B mm Inch	Acc. incl.	Weight per 100 pcs/pc. kg	Pack/Box Qty
S RTA 110.100	110 4,3	102 4	10 FLM 6X12	106,56	1
S RTA 110.150	110 4,3	152 6	10 FLM 6X12	115,02	1
S RTA 110.200	110 4,3	202 8	10 FLM 6X12	123,48	1
S RTA 110.300	110 4,3	302 11,9	10 FLM 6X12	140,40	1
S RTA 110.400	110 4,3	402 15,8	10 FLM 6X12	157,60	1
S RTA 110.500	110 4,3	502 19,8	10 FLM 6X12	174,06	1
S RTA 110.600	110 4,3	602 23,7	10 FLM 6X12	192,18	1
F RTA 110.100 F	110 4,3	102 4	10 FLM 6X12 F	117,42	1
F RTA 110.150 F	110 4,3	152 6	10 FLM 6X12 F	126,72	1
F RTA 110.200 F	110 4,3	202 8	10 FLM 6X12 F	136,03	1
F RTA 110.300 F	110 4,3	302 11,9	10 FLM 6X12 F	154,64	1
F RTA 110.400 F	110 4,3	402 15,8	10 FLM 6X12 F	173,56	1
F RTA 110.500 F	110 4,3	502 19,8	10 FLM 6X12 F	191,67	1
F RTA 110.600 F	110 4,3	602 23,7	10 FLM 6X12 F	211,85	1
E3 RTA 110.100 E3	110 4,3	102 4	10 FLM 6X12 E3	98,25	1
E3 RTA 110.200 E3	110 4,3	202 8	10 FLM 6X12 E3	113,34	1
E3 RTA 110.300 E3	110 4,3	302 11,9	10 FLM 6X12 E3	128,48	1
E3 RTA 110.400 E3	110 4,3	402 15,8	10 FLM 6X12 E3	163,15	1
E3 RTA 110.500 E3	110 4,3	502 19,8	10 FLM 6X12 E3	181,62	1
E3 RTA 110.600 E3	110 4,3	602 23,7	10 FLM 6X12 E3	200,54	1

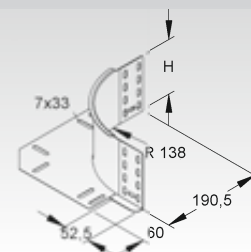
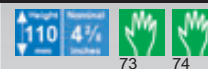


Horizontal Elbow Building Block

with integrated splice

Model no.	Height H mm Inch	Acc. incl.	Weight per 100 pcs kg	Pack/Box Qty
S REK 110	110 4,3	6 FLM 6X12	51,84	1
F REK 110 F	110 4,3	6 FLM 6X12 F	57,14	1
E3 REK 110 E3	110 4,3	6 FLM 6X12 E3	47,88	1

for building customized horizontal cable tray fittings

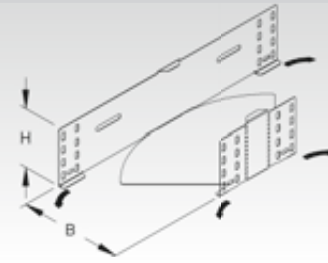


Flexible Horizontal Elbow 0-90°

with integrated splice

	Model no.	Height H		Inside dimension B		Acc. incl.	Weight per 100 pcs./pc./ kg	Pack/ Box Qty
		mm	Inch	mm	Inch			
S	RBAV 110.100	110	4,3	100	3,9	10 FLM 6X12	63,79	1
S	RBAV 110.150	110	4,3	150	5,9	10 FLM 6X12	80,92	1
S	RBAV 110.200	110	4,3	200	7,9	10 FLM 6X12	98,85	1
S	RBAV 110.300	110	4,3	300	11,8	10 FLM 6X12	147,40	1
S	RBAV 110.400	110	4,3	400	15,7	10 FLM 6X12	205,26	1
S	RBAV 110.500	110	4,3	500	19,7	14 FLM 6X12	282,04	1
S	RBAV 110.600	110	4,3	600	23,6	14 FLM 6X12	366,80	1

Height 110 mm
Tolerance 4%

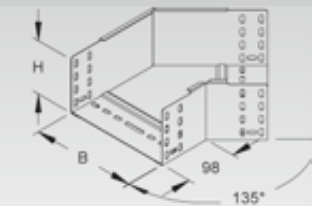


Horizontal Elbow 45°

with integrated splice

	Model no.	Height H		Inside dimension B		Acc. incl.	Weight per 100 pcs./pc./ kg	Pack/ Box Qty
		mm	Inch	mm	Inch			
S	RBA 110.100	110	4,3	102	4	4 FLM 6X12	63,30	1
S	RBA 110.150	110	4,3	152	6	4 FLM 6X12	79,30	1
S	RBA 110.200	110	4,3	202	8	5 FLM 6X12	96,90	1
S	RBA 110.300	110	4,3	302	11,9	5 FLM 6X12	137,00	1
S	RBA 110.400	110	4,3	402	15,8	6 FLM 6X12	183,80	1
S	RBA 110.500	110	4,3	502	19,8	6 FLM 6X12	236,90	1
S	RBA 110.600	110	4,3	602	23,7	6 FLM 6X12	300,12	1
F	RBA 110.100 F	110	4,3	102	4	4 FLM 6X12 F	72,94	1
F	RBA 110.150 F	110	4,3	152	6	4 FLM 6X12 F	85,20	1
F	RBA 110.200 F	110	4,3	202	8	5 FLM 6X12 F	111,33	1
F	RBA 110.300 F	110	4,3	302	11,9	5 FLM 6X12 F	155,18	1
F	RBA 110.400 F	110	4,3	402	15,8	6 FLM 6X12 F	207,49	1
F	RBA 110.500 F	110	4,3	502	19,8	6 FLM 6X12 F	265,65	1
F	RBA 110.600 F	110	4,3	602	23,7	6 FLM 6X12 F	331,19	1

Height 110 mm
Tolerance 4%

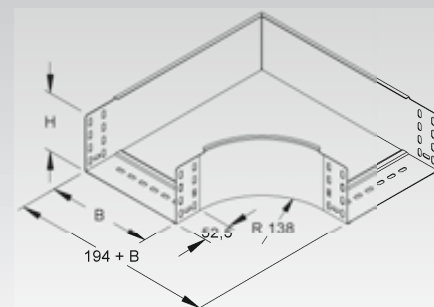


Horizontal Elbow 90°

with integrated splice

	Model no.	Height H		Inside dimension B		Acc. incl.	Weight per 100 pcs./pc./ kg	Pack/ Box Qty
		mm	Inch	mm	Inch			
S	RES 110.100	110	4,3	102	4	4 FLM 6X12	130,87	1
S	RES 110.150	110	4,3	152	6	4 FLM 6X12	163,59	1
S	RES 110.200	110	4,3	202	8	5 FLM 6X12	210,10	1
S	RES 110.300	110	4,3	302	11,9	5 FLM 6X12	300,12	1
S	RES 110.400	110	4,3	402	15,8	6 FLM 6X12	406,21	1
S	RES 110.500	110	4,3	502	19,8	6 FLM 6X12	527,62	1
S	RES 110.600	110	4,3	602	23,7	6 FLM 6X12	664,74	1
F	RES 110.100 F	110	4,3	102	4	4 FLM 6X12 F	144,04	1
F	RES 110.150 F	110	4,3	152	6	4 FLM 6X12 F	180,03	1
F	RES 110.200 F	110	4,3	202	8	5 FLM 6X12 F	231,21	1
F	RES 110.300 F	110	4,3	302	11,9	5 FLM 6X12 F	330,23	1
F	RES 110.400 F	110	4,3	402	15,8	6 FLM 6X12 F	446,95	1
F	RES 110.500 F	110	4,3	502	19,8	6 FLM 6X12 F	580,50	1
F	RES 110.600 F	110	4,3	602	23,7	6 FLM 6X12 F	731,33	1

Height 110 mm
Tolerance 4%

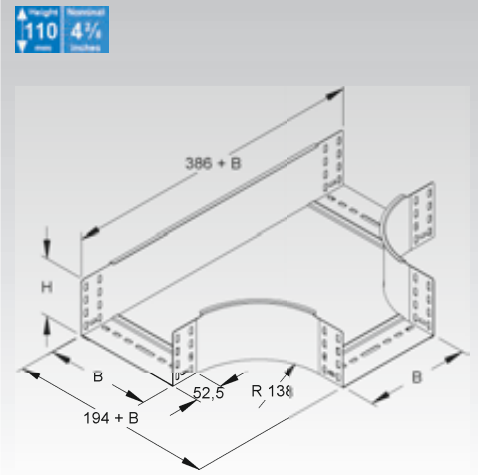


CABLE TRAY SYSTEM

Horizontal Tee

with integrated splice

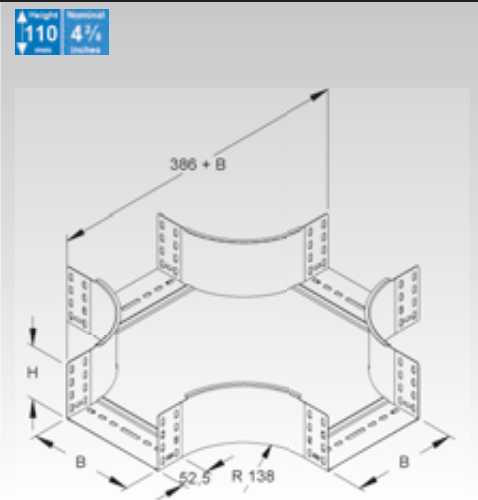
	Model no.	Height H		Inside dimension B		Acc. incl.	Weight per 100 pcs./pc./kg	Pack/Box Qty
		mm	Inch	mm	Inch			
S	RTS 110.100	110	4,3	102	4	8 FLM 6X12	171,34	1
S	RTS 110.150	110	4,3	152	6	8 FLM 6X12	205,51	1
S	RTS 110.200	110	4,3	202	8	10 FLM 6X12	257,52	1
S	RTS 110.300	110	4,3	302	11,9	10 FLM 6X12	351,91	1
S	RTS 110.400	110	4,3	402	15,8	12 FLM 6X12	463,60	1
S	RTS 110.500	110	4,3	502	19,8	12 FLM 6X12	589,39	1
S	RTS 110.600	110	4,3	602	23,7	12 FLM 6X12	732,32	1
F	RTS 110.100 F	110	4,3	102	4	8 FLM 6X12 F	188,63	1
F	RTS 110.150 F	110	4,3	152	6	8 FLM 6X12 F	226,22	1
F	RTS 110.200 F	110	4,3	202	8	10 FLM 6X12 F	283,47	1
F	RTS 110.300 F	110	4,3	302	11,9	10 FLM 6X12 F	387,30	1
F	RTS 110.400 F	110	4,3	402	15,8	12 FLM 6X12 F	510,20	1
F	RTS 110.500 F	110	4,3	502	19,8	12 FLM 6X12 F	648,57	1
F	RTS 110.600 F	110	4,3	602	23,7	12 FLM 6X12 F	804,21	1



Horizontal Cross

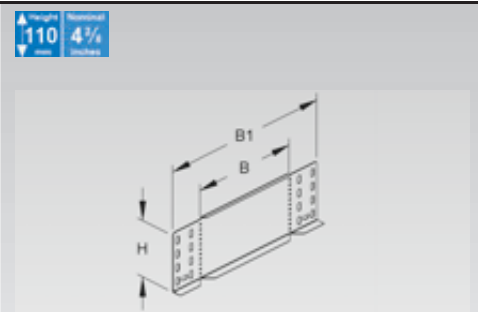
with integrated splice

	Model no.	Height H		Inside dimension B		Acc. incl.	Weight per 100 pcs./pc./kg	Pack/Box Qty
		mm	Inch	mm	Inch			
S	RKS 110.100	110	4,3	102	4	12 FLM 6X12	216,46	1
S	RKS 110.150	110	4,3	152	6	12 FLM 6X12	256,03	1
S	RKS 110.200	110	4,3	202	8	15 FLM 6X12	301,93	1
S	RKS 110.300	110	4,3	302	11,9	15 FLM 6X12	400,69	1
S	RKS 110.400	110	4,3	402	15,8	18 FLM 6X12	517,56	1
S	RKS 110.500	110	4,3	502	19,8	18 FLM 6X12	647,72	1
S	RKS 110.600	110	4,3	602	23,7	18 FLM 6X12	797,59	1
F	RKS 110.100 F	110	4,3	102	4	12 FLM 6X12 F	238,35	1
F	RKS 110.150 F	110	4,3	152	6	12 FLM 6X12 F	281,87	1
F	RKS 110.200 F	110	4,3	202	8	15 FLM 6X12 F	332,42	1
F	RKS 110.300 F	110	4,3	302	11,9	15 FLM 6X12 F	441,06	1
F	RKS 110.400 F	110	4,3	402	15,8	18 FLM 6X12 F	569,68	1
F	RKS 110.500 F	110	4,3	502	19,8	18 FLM 6X12 F	712,85	1
F	RKS 110.600 F	110	4,3	602	23,7	18 FLM 6X12 F	878,25	1



Reducer/Blind End

	Model no.	Height H		Width B		Width B1	Acc. incl.	Weight per 100 pcs./pc./kg	Pack/Box Qty
		mm	Inch	mm	Inch				
S	RA 110.050	110	4,3	50	2	172	6,8	18,64	20
S	RA 110.150	110	4,3	150	5,9	272	10,7	29,14	20
S	RA 110.200	110	4,3	200	7,9	322	12,7	34,39	20
S	RA 110.350	110	4,3	350	13,8	472	18,6	50,13	20
S	RA 110.400	110	4,3	400	15,7	522	20,6	55,38	20
S	RA 110.500	110	4,3	500	19,7	622	24,5	65,87	20
S	RA 110.600	110	4,3	600	23,6	722	28,4	76,37	20
F	RA 110.050 F	110	4,3	50	2	172	6,8	20,68	1
F	RA 110.150 F	110	4,3	150	5,9	272	10,7	32,23	1
F	RA 110.200 F	110	4,3	200	7,9	322	12,7	38,01	1
F	RA 110.350 F	110	4,3	350	13,8	472	18,6	55,32	1
F	RA 110.400 F	110	4,3	400	15,7	522	20,6	61,10	1
F	RA 110.500 F	110	4,3	500	19,7	622	24,5	72,64	1
F	RA 110.600 F	110	4,3	600	23,6	722	28,4	84,19	1
E3	RA 110.050 E3	110	4,3	50	2	172	6,8	17,30	20
E3	RA 110.200 E3	110	4,3	200	7,9	322	12,7	31,58	20
E3	RA 110.400 E3	110	4,3	400	15,7	522	20,6	50,63	20
E3	RA 110.500 E3	110	4,3	500	19,7	622	24,5	60,15	20
E3	RA 110.600 E3	110	4,3	600	23,6	722	28,4	69,68	20

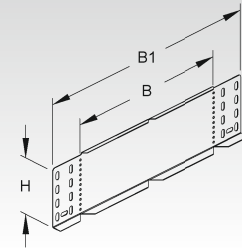


can be used as blind end or as reducer for cable trays

Adjustable Horizontal Splice/Reducer/Blind End

Model no.	Height H	Width B	Width B1	Acc. incl.	Weight per 100 pcs	Pack/Box Qty
	mm Inch	mm Inch	mm Inch		kg	
S RAW 110.100	110 4,3	100 3,9	222 8,7	4 FLM 6X12	23,60	20
S RAW 110.300	110 4,3	300 11,8	422 16,6	4 FLM 6X12	44,59	20
F RAW 110.100 F	110 4,3	100 3,9	222 8,7	4 FLM 6X12 F	26,14	1
F RAW 110.300 F	110 4,3	300 11,8	422 16,6	4 FLM 6X12 F	49,23	1
E3 RAW 110.100 E3	110 4,3	100 3,9	222 8,7	4 FLM 6X12 E3	21,80	20
E3 RAW 110.300 E3	110 4,3	300 11,8	422 16,6	4 FLM 6X12 E3	40,85	20

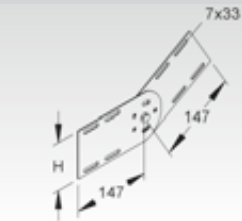
can be used as blind end or as reducer for cable trays



Adjustable Vertical Splice Plate

Model no.	Height H	Acc. incl.	Weight per 100 pcs	Pack/Box Qty
	mm Inch		kg	
S RGV 110	93 3,7	4 FLM 6X12	40,99	25
F RGV 110 F	93 3,7	4 FLM 6X12 F	44,51	25
E3 RGV 110 E3	93 3,7	4 FLM 6X12 E3	28,98	25

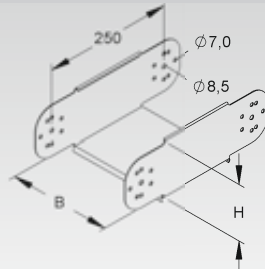
2 pieces required per joint



Splice/Link Kit

Model no.	Height H	Width B	Acc. incl.	Weight per 100 pcs/pc./kg	Pack/Box Qty
	mm Inch	mm Inch			
S RGE 110.100	110 4,3	100 3,9	2 SKM 8X16 V	97,55	1
S RGE 110.150	110 4,3	150 5,9	2 SKM 8X16 V	102,69	1
S RGE 110.200	110 4,3	200 7,9	2 SKM 8X16 V	107,83	1
S RGE 110.300	110 4,3	300 11,8	2 SKM 8X16 V	118,11	1
S RGE 110.400	110 4,3	400 15,7	2 SKM 8X16 V	128,39	1
S RGE 110.500	110 4,3	500 19,7	2 SKM 8X16 V	138,67	1
S RGE 110.600	110 4,3	600 23,6	2 SKM 8X16 V	148,94	1
F RGE 110.100 F	110 4,3	100 3,9	2 SKM 8X16 F	106,96	1
F RGE 110.150 F	110 4,3	150 5,9	2 SKM 8X16 F	112,62	1
F RGE 110.200 F	110 4,3	200 7,9	2 SKM 8X16 F	118,27	1
F RGE 110.300 F	110 4,3	300 11,8	2 SKM 8X16 F	129,58	1
F RGE 110.400 F	110 4,3	400 15,7	2 SKM 8X16 F	140,89	1
F RGE 110.500 F	110 4,3	500 19,7	2 SKM 8X16 F	152,19	1
F RGE 110.600 F	110 4,3	600 23,6	2 SKM 8X16 F	163,49	1

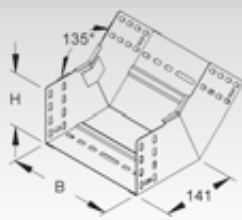
for linking sections of tray with a vertical displacement



Vertical Inside Elbow 45°

with integrated splice

Model no.	Height H	Inside dimension B	Acc. incl.	Weight per 100 pcs/pc./kg	Pack/Box Qty
	mm Inch	mm Inch			
S RSB 110.100	110 4,3	102 4	4 FLM 6X12	70,30	1
S RSB 110.150	110 4,3	152 6	4 FLM 6X12	82,30	1
S RSB 110.200	110 4,3	202 8	5 FLM 6X12	91,80	1
S RSB 110.300	110 4,3	302 11,9	5 FLM 6X12	113,40	1
S RSB 110.400	110 4,3	402 15,8	6 FLM 6X12	134,90	1
S RSB 110.500	110 4,3	502 19,8	6 FLM 6X12	159,16	1
S RSB 110.600	110 4,3	602 23,7	6 FLM 6X12	181,57	1



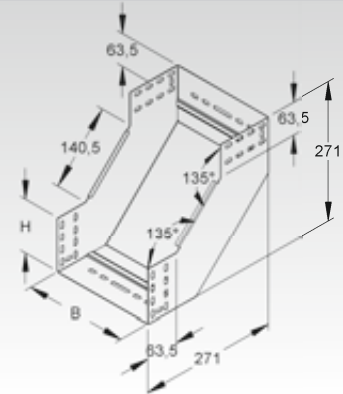
CABLE TRAY SYSTEM

Vertical Inside Elbow 90°

with integrated splice

	Model no.	Height H		Inside dimension B		Acc. incl.	Weight per 100 pcs./pc./ kg	Pack/ Box Qty
		mm	Inch	mm	Inch			
S	RSD 110.100	110	4,3	102	4	4 FLM 6X12	100,16	1
S	RSD 110.150	110	4,3	152	6	4 FLM 6X12	117,35	1
S	RSD 110.200	110	4,3	202	8	5 FLM 6X12	135,46	1
S	RSD 110.300	110	4,3	302	11,9	5 FLM 6X12	169,84	1
S	RSD 110.400	110	4,3	402	15,8	6 FLM 6X12	205,14	1
S	RSD 110.500	110	4,3	502	19,8	6 FLM 6X12	239,52	1
S	RSD 110.600	110	4,3	602	23,7	6 FLM 6X12	273,90	1

Height 110 mm
Slope 4%
Inch

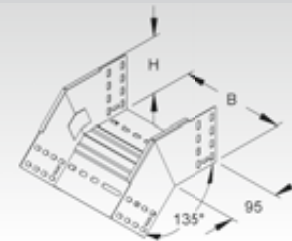


Vertical Outside Elbow 45°

with integrated splice

	Model no.	Height H		Inside dimension B		Acc. incl.	Weight per 100 pcs./pc./ kg	Pack/ Box Qty
		mm	Inch	mm	Inch			
S	RFB 110.100	110	4,3	102	4	4 FLM 6X12	62,00	1
S	RFB 110.150	110	4,3	152	6	4 FLM 6X12	70,60	1
S	RFB 110.200	110	4,3	202	8	5 FLM 6X12	76,50	1
S	RFB 110.300	110	4,3	302	11,9	5 FLM 6X12	91,00	1
S	RFB 110.400	110	4,3	402	15,8	6 FLM 6X12	105,40	1
S	RFB 110.500	110	4,3	502	19,8	6 FLM 6X12	122,80	1
S	RFB 110.600	110	4,3	602	23,7	6 FLM 6X12	137,99	1

Height 110 mm
Slope 4%
Inch

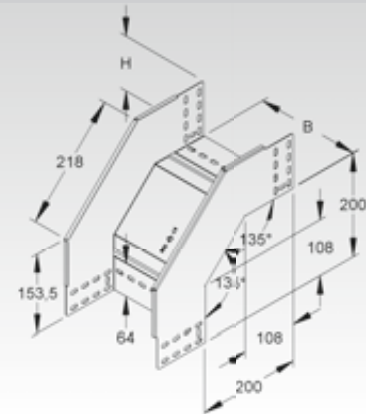


Vertical Outside Elbow 90°

with integrated splice

	Model no.	Height H		Inside dimension B		Acc. incl.	Weight per 100 pcs./pc./ kg	Pack/ Box Qty
		mm	Inch	mm	Inch			
S	RFD 110.100	110	4,3	102	4	4 FLM 6X12	106,26	1
S	RFD 110.150	110	4,3	152	6	4 FLM 6X12	119,62	1
S	RFD 110.200	110	4,3	202	8	5 FLM 6X12	133,78	1
S	RFD 110.300	110	4,3	302	11,9	5 FLM 6X12	160,51	1
S	RFD 110.400	110	4,3	402	15,8	6 FLM 6X12	188,59	1
S	RFD 110.500	110	4,3	502	19,8	6 FLM 6X12	214,75	1
S	RFD 110.600	110	4,3	602	23,7	6 FLM 6X12	241,48	1

Height 110 mm
Slope 4%
Inch



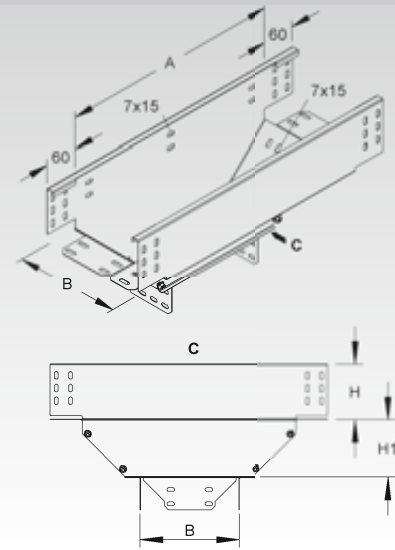
Vertical Tee Down, lengthwise

with integrated splice

	Model no.	Height H		Inside dimension B		Length A		Height H1	Acc. incl.	Weight per 100 pcs./pc./ kg	Pack/ Box Qty
		mm	Inch	mm	Inch	mm	Inch				
S	RTL 110.150	110	4,3	152	6	330	13	93	16 FLM 6X12	187,06	1
S	RTL 110.200	110	4,3	202	8	430	16,9	118	19 FLM 6X12	264,54	1
S	RTL 110.300	110	4,3	302	11,9	630	24,8	168	21 FLM 6X12	446,99	1
S	RTL 110.400	110	4,3	402	15,8	730	28,7	168	24 FLM 6X12	575,62	1
S	RTL 110.500	110	4,3	502	19,8	830	32,7	168	24 FLM 6X12	712,49	1
S	RTL 110.600	110	4,3	602	23,7	930	36,6	168	24 FLM 6X12	868,26	1

Size of run and tap tray is identical.

Delivered as a kit (not assembled).

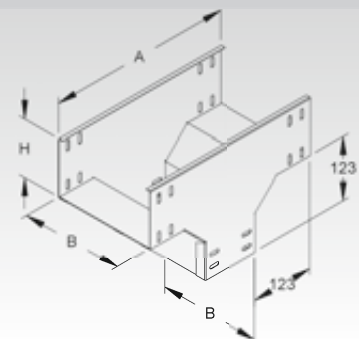


Vertical Tee Down, crosswise

with integrated splice

	Model no.	Height H		Inside dimension B		Length A		Acc. incl.	Weight per 100 pcs./pc./ kg	Pack/ Box Qty
		mm	Inch	mm	Inch	mm	Inch			
S	RTQ 110.100	110	4,3	102	4	361	14,2	8 FLM 6X12	144,98	1
S	RTQ 110.150	110	4,3	152	6	361	14,2	8 FLM 6X12	162,26	1
S	RTQ 110.200	110	4,3	202	8	361	14,2	10 FLM 6X12	181,14	1
S	RTQ 110.300	110	4,3	302	11,9	361	14,2	10 FLM 6X12	215,70	1
S	RTQ 110.400	110	4,3	402	15,8	361	14,2	12 FLM 6X12	251,86	1
S	RTQ 110.500	110	4,3	502	19,8	361	14,2	12 FLM 6X12	286,42	1
S	RTQ 110.600	110	4,3	602	23,7	361	14,2	12 FLM 6X12	322,42	1

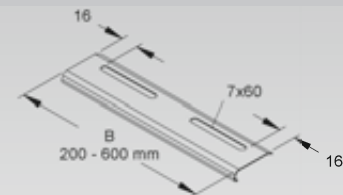
Size of run and tap tray is identical.



Edge Protection Plate

	Model no.	Width B		Acc. incl.	Weight per 100 pcs./pc./ kg	Pack/ Box Qty
		mm	Inch			
S	RKB 100	92	3,6	1 FLM 6X12	4,40	10
S	RKB 150	142	5,6	2 FLM 6X12	7,15	10
S	RKB 200	192	7,6	2 FLM 6X12	9,13	10
S	RKB 300	292	11,5	2 FLM 6X12	13,27	10
S	RKB 400	392	15,4	2 FLM 6X12	17,40	10
S	RKB 500	492	19,4	2 FLM 6X12	21,53	10
S	RKB 600	592	23,3	2 FLM 6X12	25,67	10
F	RKB 100 F	92	3,6	1 FLM 6X12 F	4,89	50
F	RKB 150 F	142	5,6	2 FLM 6X12 F	7,96	50
F	RKB 200 F	192	7,6	2 FLM 6X12 F	10,13	50
F	RKB 300 F	292	11,5	2 FLM 6X12 F	14,69	50
F	RKB 400 F	392	15,4	2 FLM 6X12 F	19,23	50
F	RKB 500 F	492	19,4	2 FLM 6X12 F	23,77	50
F	RKB 600 F	592	23,3	2 FLM 6X12 F	28,33	50
E3	RKB 100 E3	92	3,6	1 FLM 6X12 E3	4,43	10
E3	RKB 200 E3	192	7,6	2 FLM 6X12 E3	9,20	10
E3	RKB 300 E3	292	11,5	2 FLM 6X12 E3	13,36	10
E3	RKB 400 E3	392	15,4	2 FLM 6X12 E3	17,52	10
E3	RKB 500 E3	492	19,4	2 FLM 6X12 E3	21,68	10
E3	RKB 600 E3	592	23,3	2 FLM 6X12 E3	25,84	10

with rounded edges to protect cables at the joint and to reinforce the bottom of cable trays

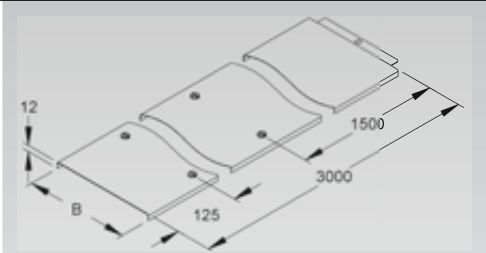


CABLE TRAY SYSTEM COVERS

Cover for Cable Tray/Ladder

with turnbolt locks

Model no.	Inside dimension B mm Inch	Weight per 100 m kg	Pack/ Box Qty
S RDV 100	102 4	74,17	2 x 3 m
S RDV 150	152 6	103,81	2 x 3 m
S RDV 200	202 8	133,44	2 x 3 m
S RDV 300	302 11,9	231,02	2 x 3 m
S RDV 400	402 15,8	335,56	2 x 3 m
S RDV 500	502 19,8	414,60	2 x 3 m
S RDV 600	602 23,7	493,63	2 x 3 m
F RDV 100 F	102 4	81,59	2 x 3 m
F RDV 150 F	152 6	114,19	2 x 3 m
F RDV 200 F	202 8	146,79	2 x 3 m
F RDV 300 F	302 11,9	254,13	2 x 3 m
F RDV 400 F	402 15,8	369,12	2 x 3 m
F RDV 500 F	502 19,8	456,06	2 x 3 m
F RDV 600 F	602 23,7	542,99	2 x 3 m
E3 RDV 100 E3	102 4	80,01	2 x 3 m
E3 RDV 200 E3	202 8	143,64	2 x 3 m
E3 RDV 300 E3	302 11,9	206,00	2 x 3 m
E3 RDV 400 E3	402 15,8	269,62	2 x 3 m
E3 RDV 500 E3	502 19,8	376,11	2 x 3 m
E3 RDV 600 E3	602 23,7	447,70	2 x 3 m

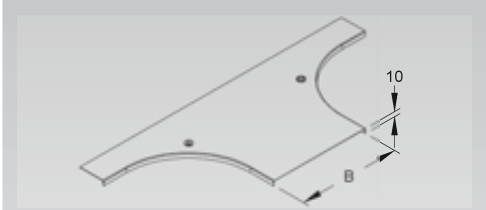


Suitable for: all straight sections of cable tray (other than RSV 50...) as well as for cable ladders KL...
For outdoor service covers need to be secured against windloads using heavy duty cover clamps or steel cable ties.

Cover for Horizontal Extension Tee

with turnbolt locks

Model no.	Inside dimension B mm Inch	Weight per 100 pcs kg	Pack/ Box Qty
S RTADV 100	104 4,1	43,37	1
S RTADV 150	154 6,1	51,99	1
S RTADV 200	204 8	60,61	1
S RTADV 300	304 12	77,85	1
S RTADV 400	404 15,9	95,09	1
S RTADV 500	504 19,8	112,32	1
S RTADV 600	604 23,8	129,56	1
F RTADV 100 F	104 4,1	52,44	1
F RTADV 150 F	154 6,1	57,97	1
F RTADV 200 F	204 8	67,45	1
F RTADV 300 F	304 12	86,42	1
F RTADV 400 F	404 15,9	105,37	1
F RTADV 500 F	504 19,8	124,33	1
F RTADV 600 F	604 23,8	143,29	1
E3 RTADV 100 E3	104 4,1	39,61	1
E3 RTADV 200 E3	204 8	55,03	1
E3 RTADV 300 E3	304 12	70,45	1
E3 RTADV 400 E3	404 15,9	106,91	1
E3 RTADV 500 E3	504 19,8	126,19	1
E3 RTADV 600 E3	604 23,8	145,47	1



Suitable for: extension horizontal tee RTA...
For outdoor service covers need to be secured against windloads using heavy duty cover clamps or steel cable ties.



Cover for Flexible Horizontal Fitting

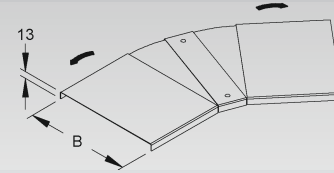
Model no.	Inside dimension B mm Inch	Weight per 100 pcs kg	Pack/Box Qty
S RBAVD 100	102 4	32,20	1
S RBAVD 150	152 6	60,74	1
S RBAVD 200	202 8	97,65	1
S RBAVD 300	302 11,9	197,75	1
S RBAVD 400	402 15,8	332,11	1
S RBAVD 500	502 19,8	501,35	1
S RBAVD 600	602 23,7	704,73	1

adjustable from 0-90°

Suitable for: flexible horizontal elbow RBAV...

RDHF 9 E2 cover clamps shall not be used when covers are installed vertically.

4 x RDHF 9 E2 cover clips required per cover. Please order separately.



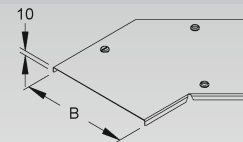
Cover for 45° Horizontal Elbow

with turnbolt locks

Model no.	Inside dimension B mm Inch	Weight per 100 pc. kg	Pack/Box Qty
S RBADV 100	104 4,1	24,99	1
S RBADV 150	154 6,1	37,29	1
S RBADV 200	204 8	51,21	1
S RBADV 300	304 12	83,94	1
S RBADV 400	404 15,9	123,17	1
S RBADV 500	504 19,8	168,90	1
S RBADV 600	604 23,8	221,13	1
F RBADV 100 F	104 4,1	28,71	1
F RBADV 150 F	154 6,1	42,24	1
F RBADV 200 F	204 8	57,55	1
F RBADV 300 F	304 12	93,54	1
F RBADV 400 F	404 15,9	136,70	1
F RBADV 500 F	504 19,8	187,00	1
F RBADV 600 F	604 23,8	244,46	1

Suitable for: horizontal elbow 45° RBA...

For outdoor service covers need to be secured against windloads using heavy duty cover clamps or steel cable ties.



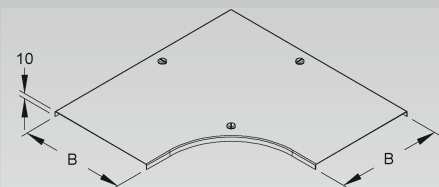
Cover for 90° Horizontal Elbow

with turnbolt locks

Model no.	Inside dimension B mm Inch	Weight per 100 pcs kg	Pack/Box Qty
S RESDV 100	104 4,1	39,00	1
S RESDV 150	154 6,1	69,62	1
S RESDV 200	204 8	96,39	1
S RESDV 300	304 12	160,52	1
S RESDV 400	404 15,9	238,78	1
S RESDV 500	504 19,8	367,73	1
S RESDV 600	604 23,8	486,08	1
F RESDV 100 F	104 4,1	44,10	1
F RESDV 150 F	154 6,1	77,79	1
F RESDV 200 F	204 8	107,23	1
F RESDV 300 F	304 12	177,78	1
F RESDV 400 F	404 15,9	263,87	1
F RESDV 500 F	504 19,8	405,71	1
F RESDV 600 F	604 23,8	535,91	1
E3 RESDV 100 E3	104 4,1	42,80	1
E3 RESDV 200 E3	204 8	87,54	1
E3 RESDV 300 E3	304 12	144,91	1
E3 RESDV 400 E3	404 15,9	267,85	1
E3 RESDV 500 E3	504 19,8	371,16	1
E3 RESDV 600 E3	604 23,8	490,27	1

Suitable for: horizontal 90° elbow RES...

For outdoor service covers need to be secured against windloads using heavy duty cover clamps or steel cable ties.



CABLE TRAY SYSTEM COVERS

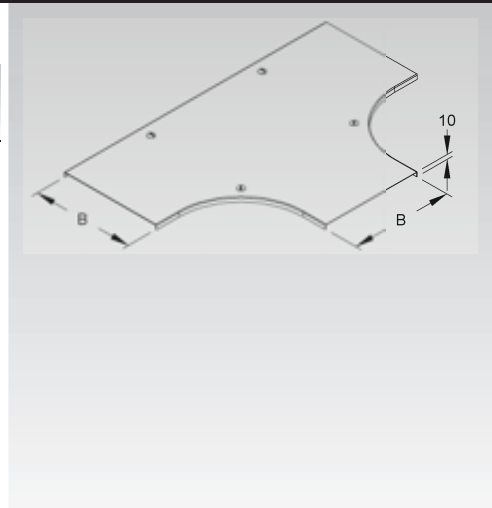
Cover for Horizontal Tee

with turnbolt locks

Model no.		Inside dimension B	Weight per 100 pcs	Pack/Box Qty
		mm Inch	kg	
S	RTSDV 100	104 4,1	72,24	1
S	RTSDV 150	154 6,1	105,14	1
S	RTSDV 200	204 8	141,97	1
S	RTSDV 300	304 12	227,41	1
S	RTSDV 400	404 15,9	328,54	1
S	RTSDV 500	504 19,8	445,38	1
S	RTSDV 600	604 23,8	577,92	1
F	RTSDV 100 F	104 4,1	81,08	1
F	RTSDV 150 F	154 6,1	117,30	1
F	RTSDV 200 F	204 8	157,82	1
F	RTSDV 300 F	304 12	251,90	1
F	RTSDV 400 F	404 15,9	363,04	1
F	RTSDV 500 F	504 19,8	491,56	1
F	RTSDV 600 F	604 23,8	637,35	1

Suitable for: horizontal tee RTS...

For outdoor service covers need to be secured against windloads using heavy duty cover clamps or steel cable ties.



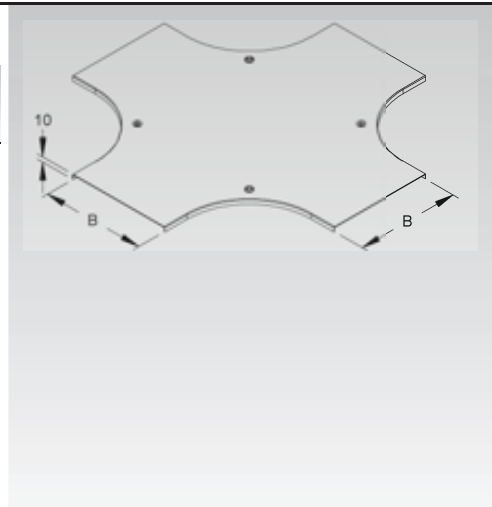
Cover for Horizontal Cross

with turnbolt locks

Model no.		Inside dimension B	Weight per 100 pcs	Pack/Box Qty
		mm Inch	kg	
S	RKSDV 100	104 4,1	95,41	1
S	RKSDV 150	154 6,1	135,44	1
S	RKSDV 200	204 8	179,40	1
S	RKSDV 300	304 12	279,10	1
S	RKSDV 400	404 15,9	394,49	1
S	RKSDV 500	504 19,8	525,59	1
S	RKSDV 600	604 23,8	672,38	1
F	RKSDV 100 F	104 4,1	106,57	1
F	RKSDV 150 F	154 6,1	150,60	1
F	RKSDV 200 F	204 8	198,96	1
F	RKSDV 300 F	304 12	308,63	1
F	RKSDV 400 F	404 15,9	435,56	1
F	RKSDV 500 F	504 19,8	579,77	1
F	RKSDV 600 F	604 23,8	741,24	1

Suitable for: horizontal cross RKS...

For outdoor service covers need to be secured against windloads using heavy duty cover clamps or steel cable ties.



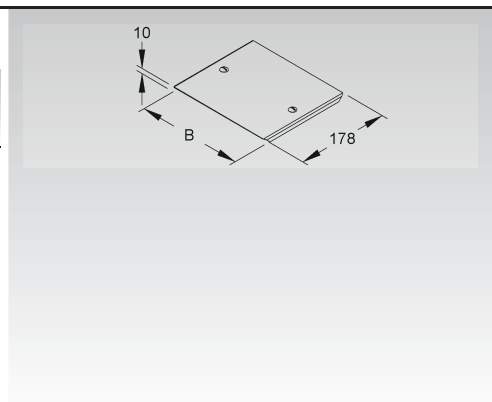
Cover for Vertical Outside Elbow Kit

with turnbolt locks

Model no.		Inside dimension B	Weight per 100 pcs/pc.	Pack/Box Qty
		mm Inch	kg	
S	RFSDDV 60.100	104 4,1	19,31	1
S	RFSDDV 60.150	154 6,1	24,99	1
S	RFSDDV 60.200	204 8	32,00	1
S	RFSDDV 60.300	304 12	46,00	1
S	RFSDDV 60.400	404 15,9	59,90	1
S	RFSDDV 60.500	504 19,8	73,90	1
S	RFSDDV 60.600	604 23,8	87,90	1

Suitable for: vertical inside/outside elbow kit with a side rail height of 60 mm, RFD 60... and RSD 60...

For outdoor service covers need to be secured against windloads using heavy duty cover clamps or steel cable ties.



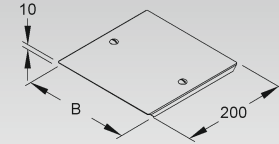
Cover for Vertical Outside Elbow Kit

with turnbolt locks

	Model no.	Inside dimension B		Weight per 100 pcs kg	Pack/Box Qty
		mm	Inch		
S	RFDDV 85.100	104	4,1	20,7	1
S	RFDDV 85.200	204	8	36,4	1
S	RFDDV 85.300	304	12	52,1	1
S	RFDDV 85.400	404	15,9	67,8	1
S	RFDDV 85.500	504	19,8	83,5	1
S	RFDDV 85.600	604	23,8	99,2	1

Suitable for: vertical inside/outside elbow kit with a side rail height of 85 mm, RFD 85...

For outdoor service covers need to be secured against windloads using heavy duty cover clamps or steel cable ties.



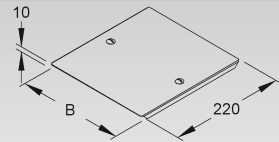
Cover for Vertical Outside Elbow Kit

with turnbolt locks

	Model no.	Inside dimension B		Weight per 100 pcs/pc. kg	Pack/Box Qty
		mm	Inch		
S	RFDDV 110.100	104	4,1	22,60	1
S	RFDDV 110.150	154	6,1	31,20	1
S	RFDDV 110.200	204	8	39,31	1
S	RFDDV 110.300	304	12	57,10	1
S	RFDDV 110.400	404	15,9	74,40	1
S	RFDDV 110.500	504	19,8	91,70	1
S	RFDDV 110.600	604	23,8	108,90	1

Suitable for: vertical inside/outside elbow kit with a side rail height of 110 mm, RFD 110...

For outdoor service covers need to be secured against windloads using heavy duty cover clamps or steel cable ties.



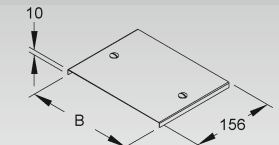
Cover for Vertical Inside Elbow

with turnbolt locks

	Model no.	Inside dimension B		Weight per 100 pcs kg	Pack/Box Qty
		mm	Inch		
S	RSDDV 85.100	104	4,1	16,25	1
S	RSDDV 85.200	204	8	28,49	1
S	RSDDV 85.300	304	12	40,74	1
S	RSDDV 85.400	404	15,9	52,99	1
S	RSDDV 85.500	504	19,8	65,23	1
S	RSDDV 85.600	604	23,8	77,48	1

Suitable for: cable tray vertical inside/outside elbow for side rail height of 85 mm, RSD 85...

For outdoor service covers need to be secured against windloads using heavy duty cover clamps or steel cable ties.



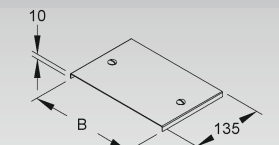
Cover for Vertical Inside Elbow

with turnbolt locks

	Model no.	Inside dimension B		Weight per 100 pcs/pc./kg	Pack/Box Qty
		mm	Inch		
S	RSDDV 110.100	104	4,1	14,23	1
S	RSDDV 110.150	154	6,1	19,52	1
S	RSDDV 110.200	204	8	24,82	1
S	RSDDV 110.300	304	12	35,42	1
S	RSDDV 110.400	404	15,9	46,02	1
S	RSDDV 110.500	504	19,8	56,62	1
S	RSDDV 110.600	604	23,8	67,21	1

Suitable for: cable tray vertical inside/outside elbow for side rail height of 110 mm, RSD 110 ...

For outdoor service covers need to be secured against windloads using heavy duty cover clamps or steel cable ties.



CABLE TRAY SYSTEM COVERS

Turnbolt Lock

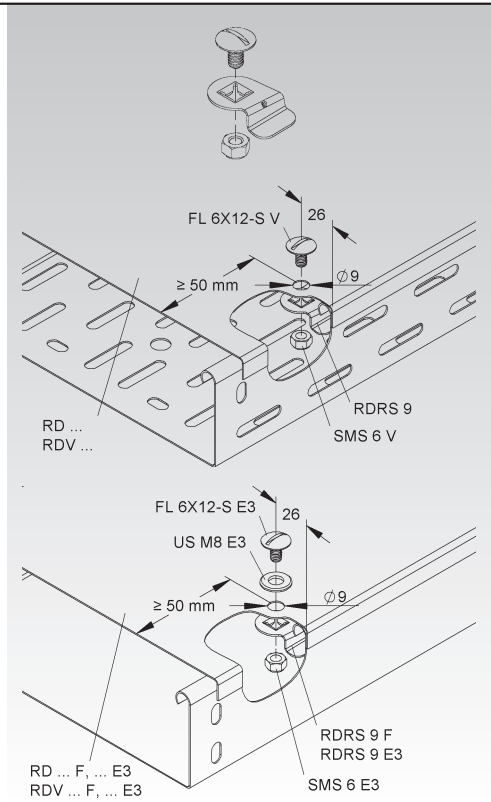
incl. locking nut

Model no.	Acc. incl.	Weight per 100 pcs kg	Pack/Box Qty
S RDRS 9	1 FL 6X12-S V, 1 SMS 6 V	1,2	100
F RDRS 9 F	1 FL 6X12-S E3, 1 SMS 6 E3, 1 US M8 E3	1,6	100
E3 RDRS 9 E3	1 FL 6X12-S E3, 1 SMS 6 E3, 1 US M8 E3	1,6	100

for field modifications of covers

Suitable for: cover RDV...

Not sufficient for securing covers to tray installed vertically or sideways nor for securing covers against windloads. Please use self tapping screws, steel cable ties or coverhinges in addition.

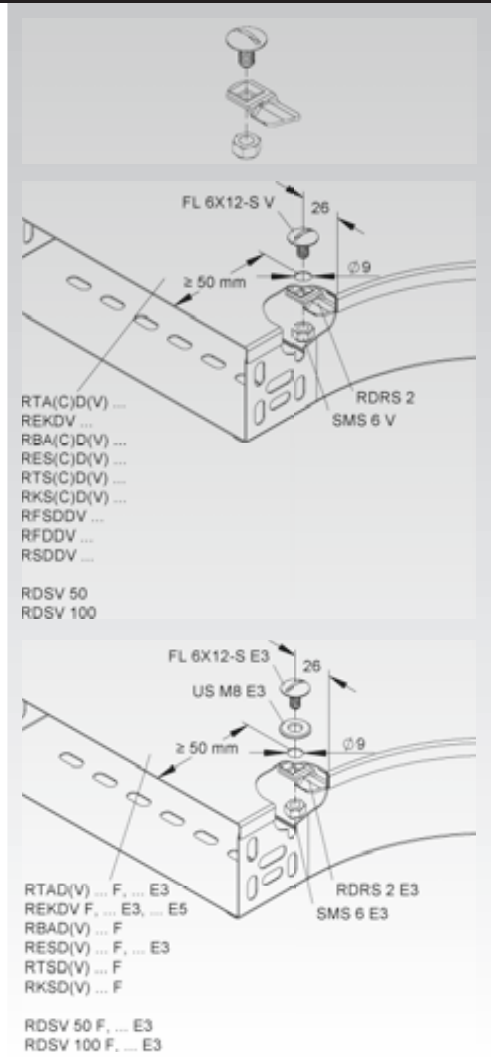


Turnbolt Lock

incl. locking nut

Model no.	Acc. incl.	Weight per 100 pcs kg	Pack/Box Qty
S RDRS 2	1 FL 6X12-S V, 1 SMS 6 V	1,3	100
E3 RDRS 2 E3	1 FL 6X12-S E3, 1 SMS 6 E3, 1 US M8 E3	1,5	100

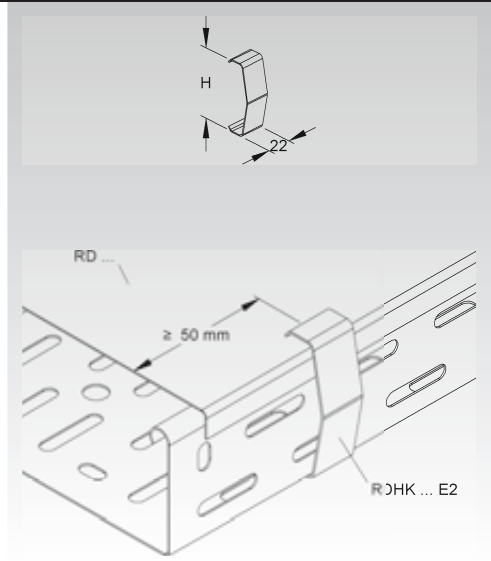
Suitable for: all R-series fitting covers and RSV 50.100 distribution tray covers
 Not sufficient for securing covers to tray installed vertically or sideways nor for securing covers against windloads. Please use self tapping screws, steel cable ties or coverhinges in addition.



Exterior Cover Clamp

Model no.	Height H	Weight per 100 pcs kg	Pack/Box Qty
	mm Inch		
E2 RDHK 60 E2	58 2,3	2,0	50
E2 RDHK 110 E2	108 4,3	2,2	50

Suitable for: all tray and fitting covers in 60 mm or 110 mm height
 Not sufficient for securing covers to tray installed vertically or sideways nor for securing covers against windloads. Please use self tapping screws, steel cable ties or coverhinges in addition.



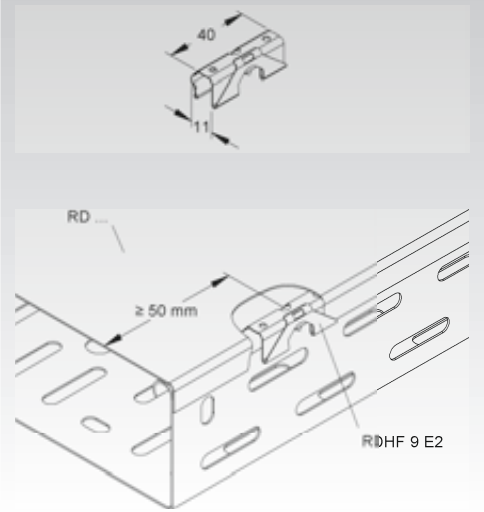
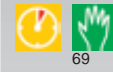
CABLE TRAY SYSTEM COVERS

Cover Clamp

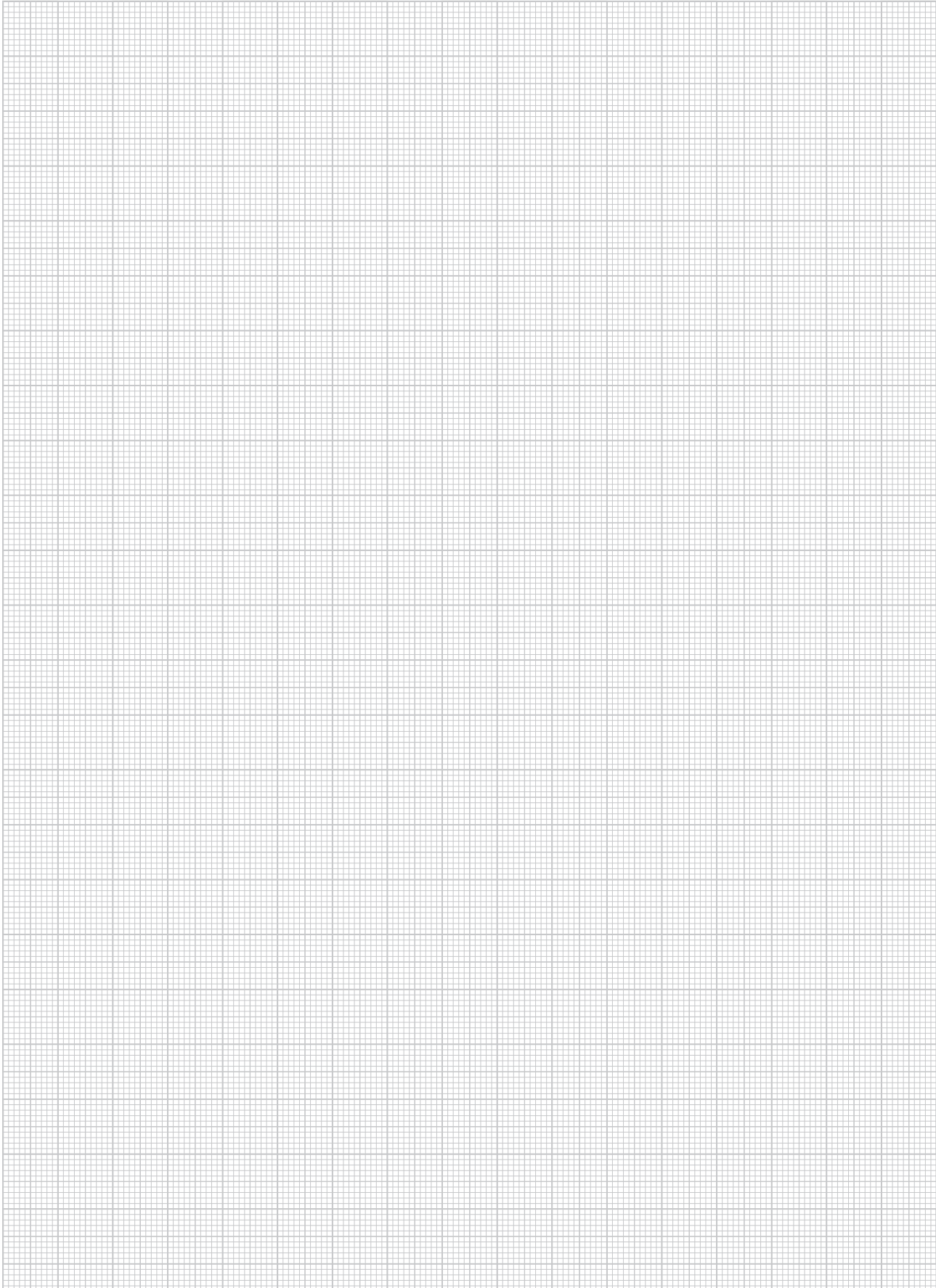
Model no.	Weight per 100 pcs kg	Pack/Box Qty
E2 RDHF 9 E2	0,47	60

Suitable for: covers RDV... and RBAVD...

Not sufficient for securing covers to tray installed vertically or sideways nor for securing covers against windloads. Please use self tapping screws, steel cable ties or coverhinges in addition.



NOTES

A large rectangular area filled with a fine grid of light gray lines, intended for taking notes. The grid consists of small squares, approximately 10x10 units per centimeter.